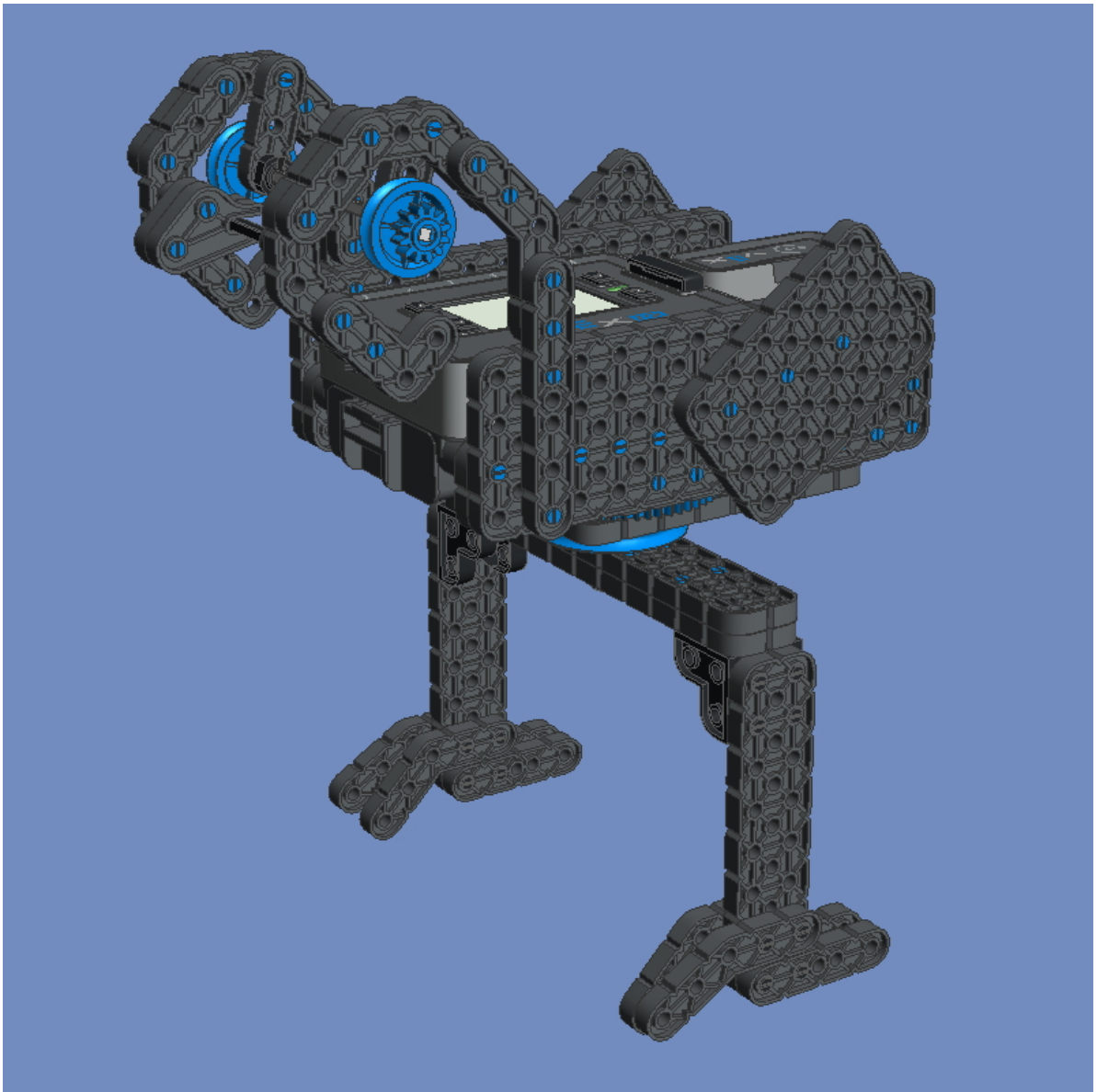


# VEX-IQ Chicken (gray version) Model by Sebastian Trella 2017



Building instructions and programs:

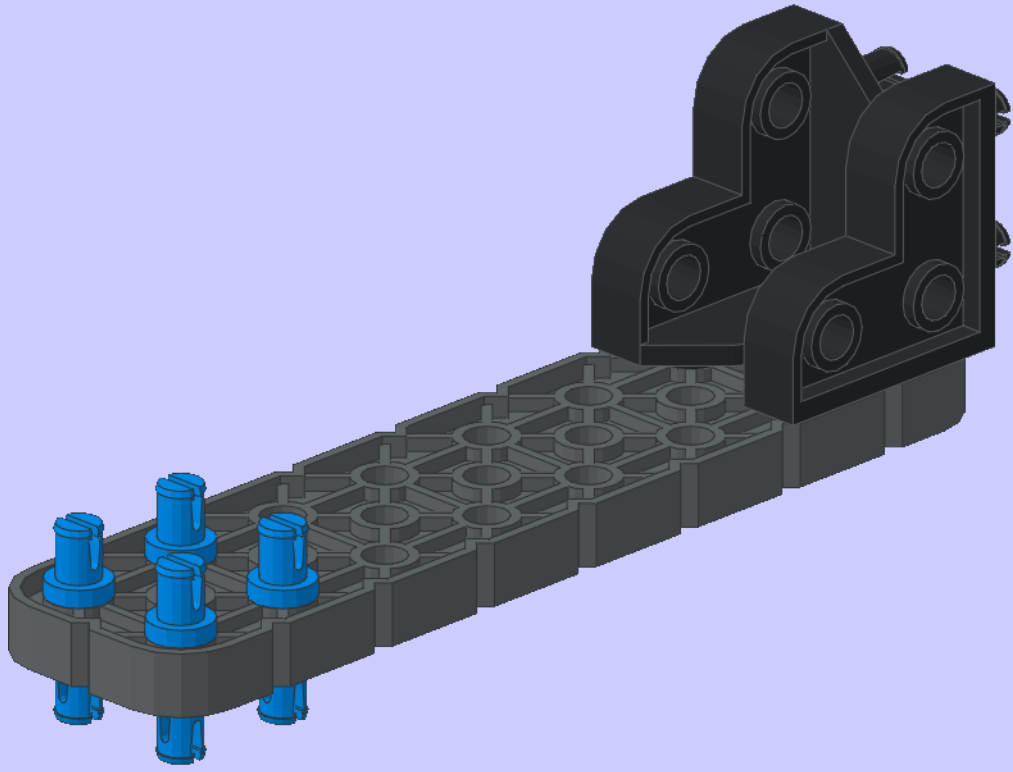
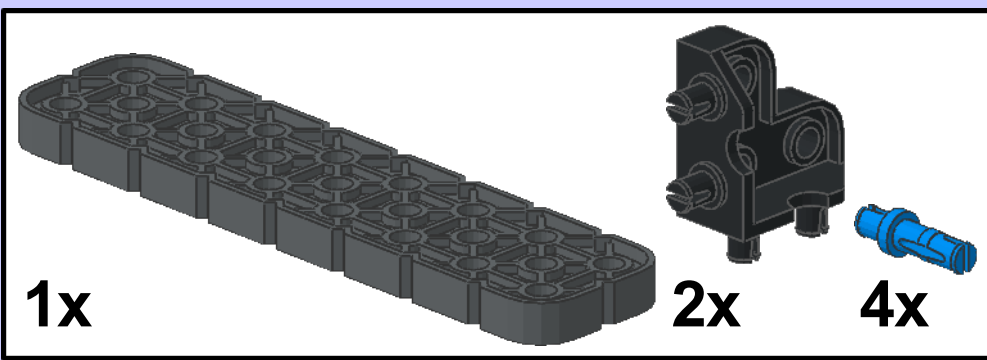
<http://vexiq.dreier-privat.de/projects/chicken/chicken.html>

VEX-IQ on internet:

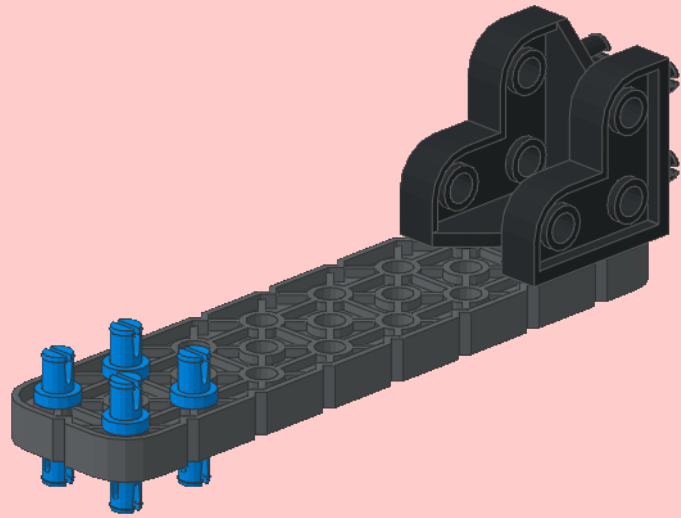
<https://www.vexrobotics.com/vexiq>



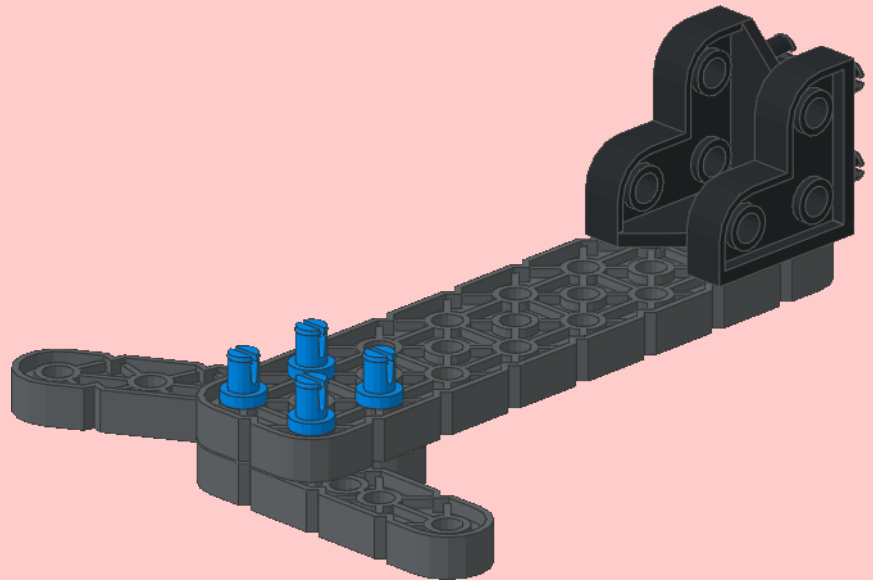
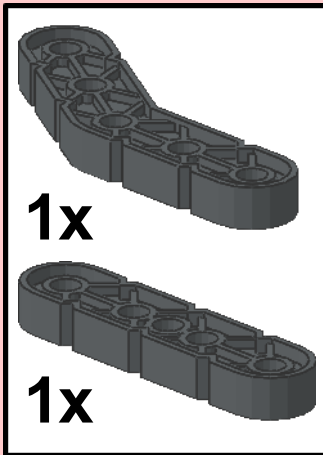




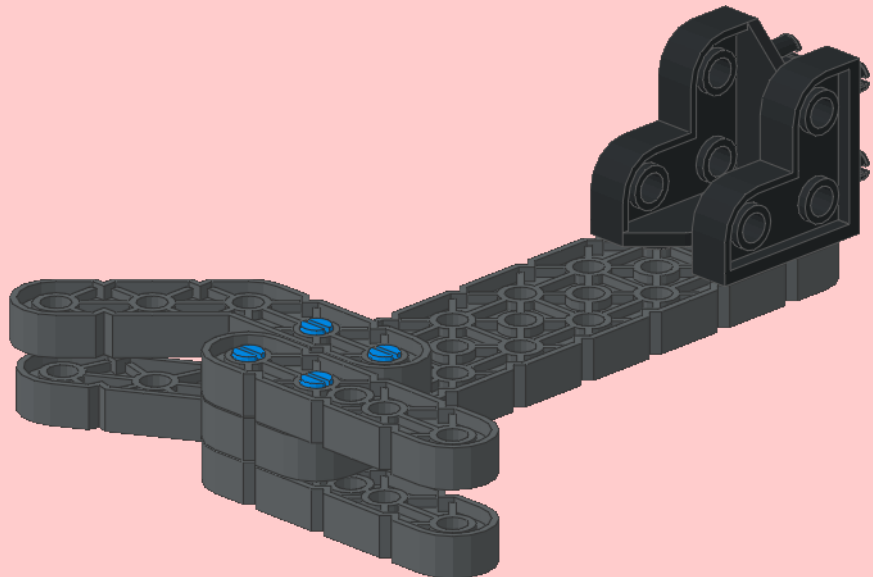
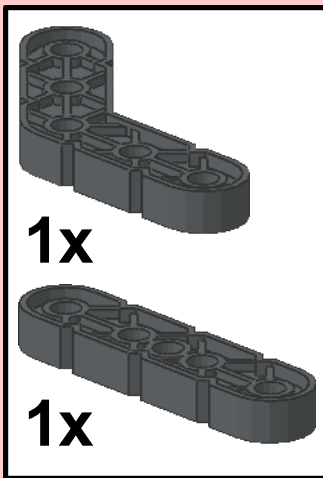
1



2

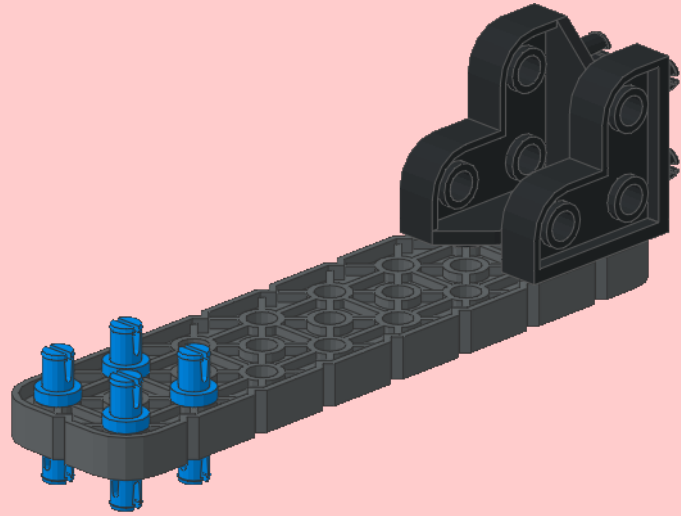


3

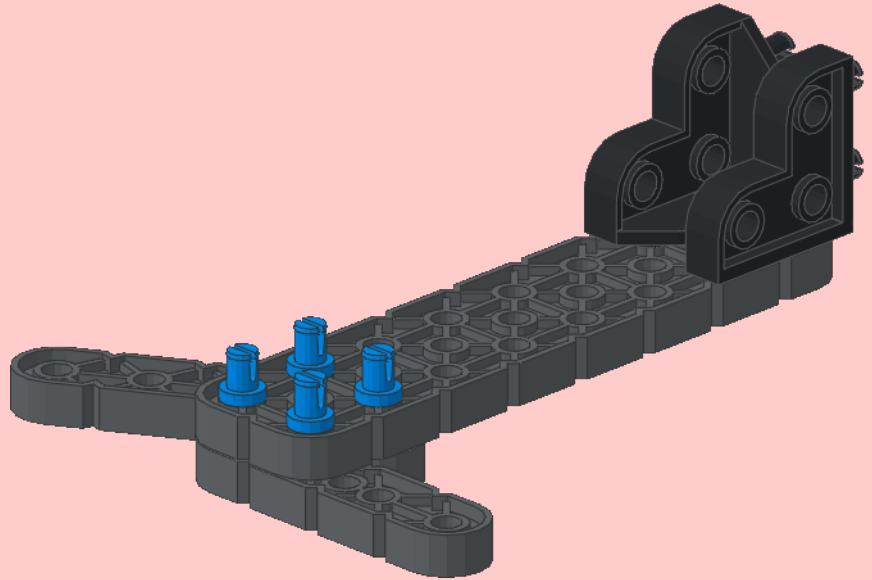
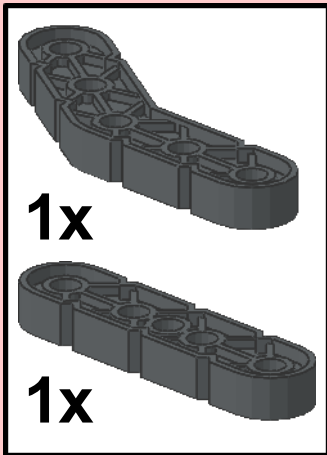




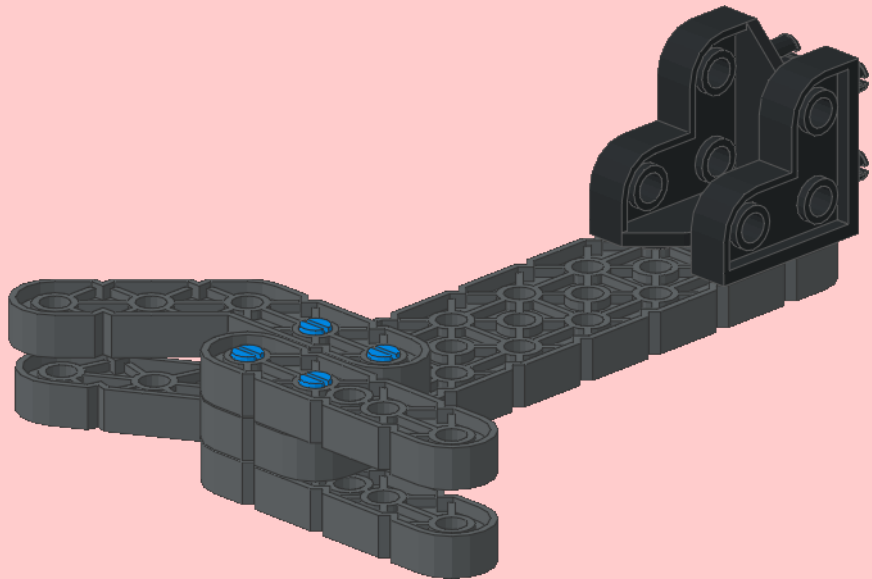
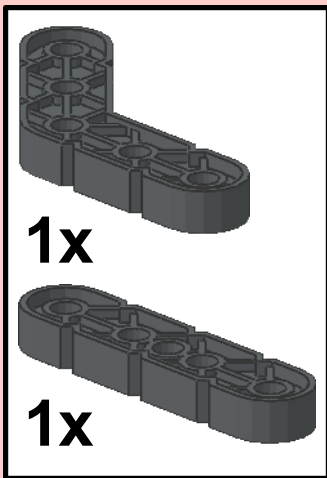
1



2



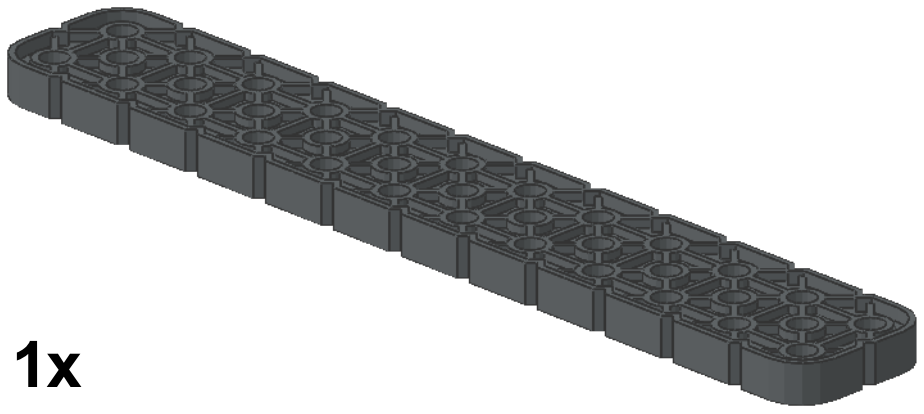
3



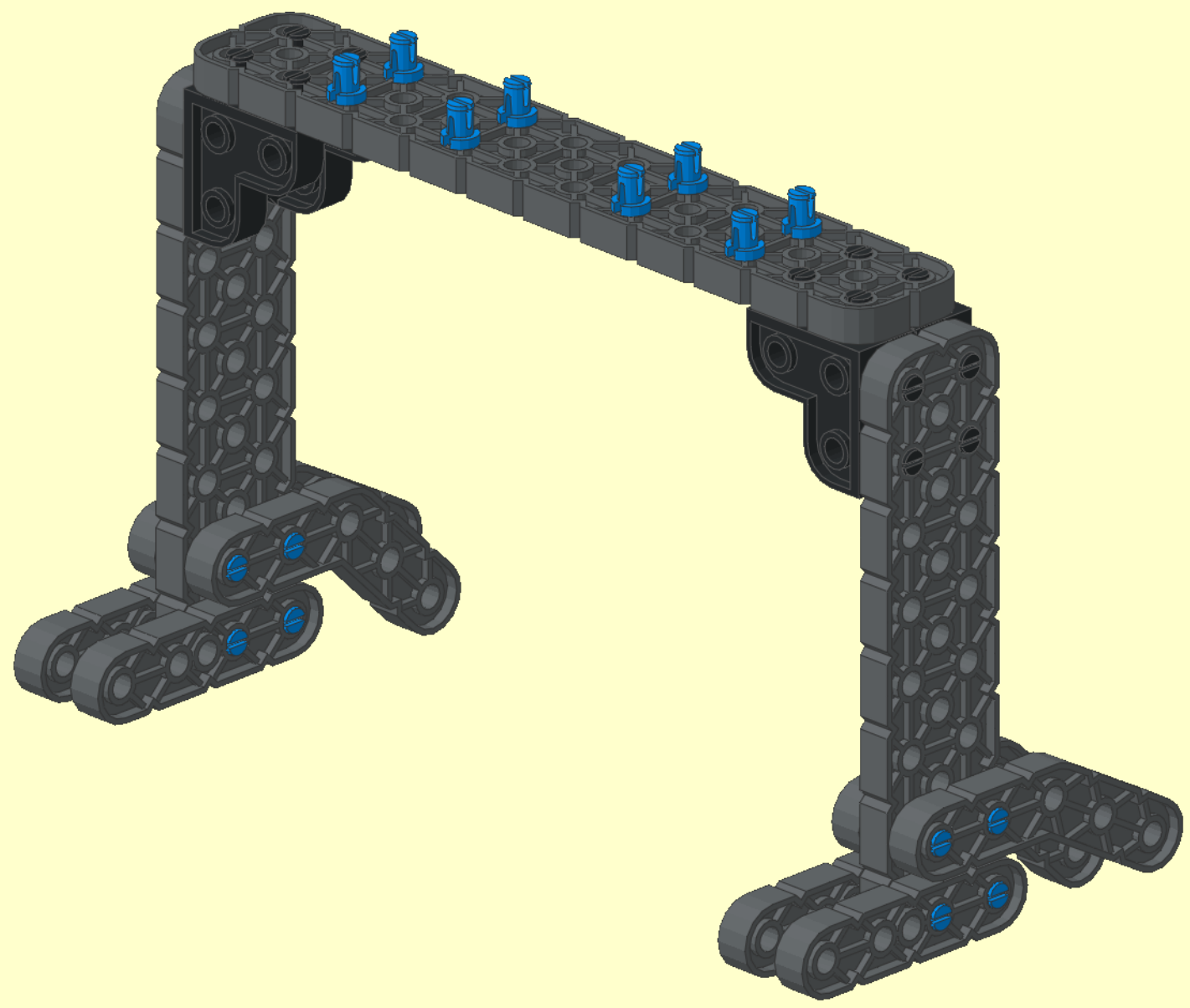
1




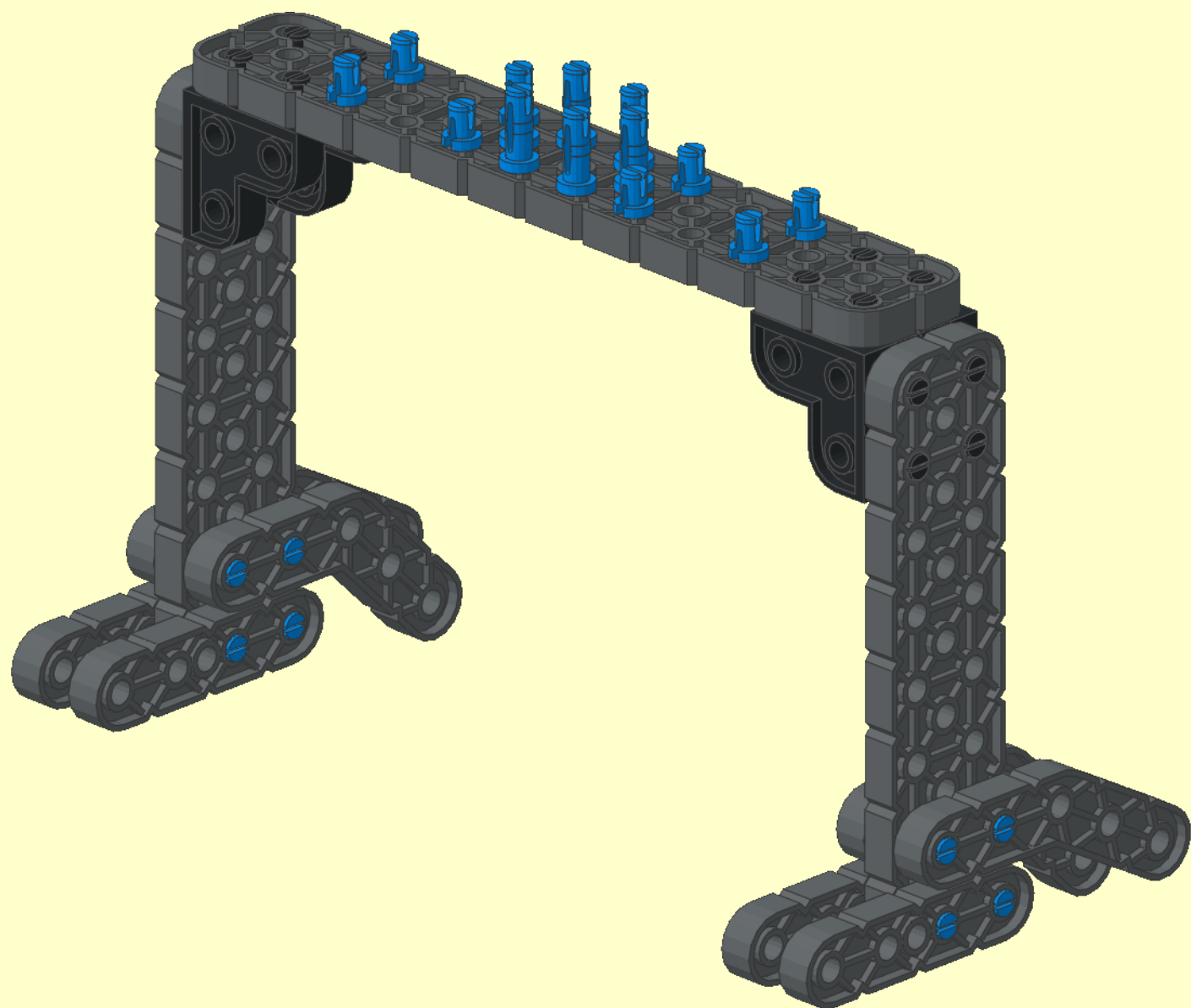
8x



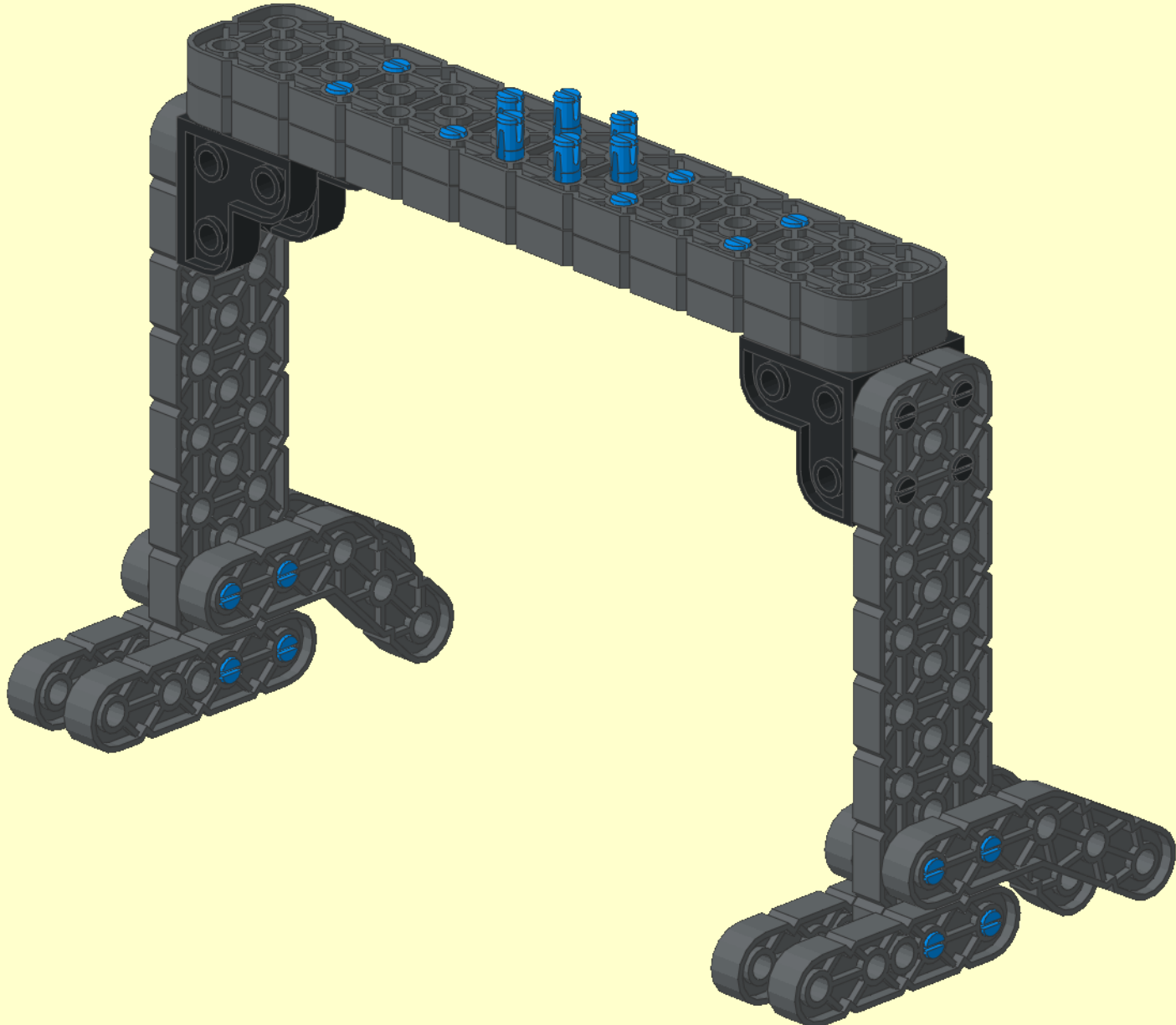
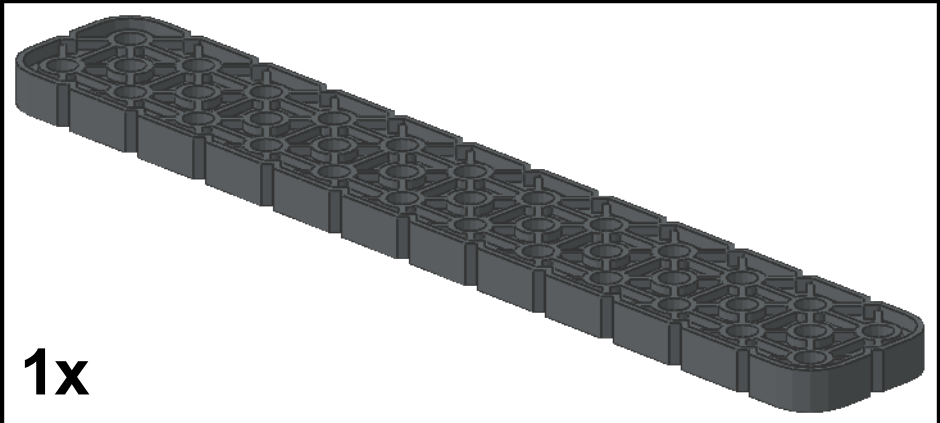
1x



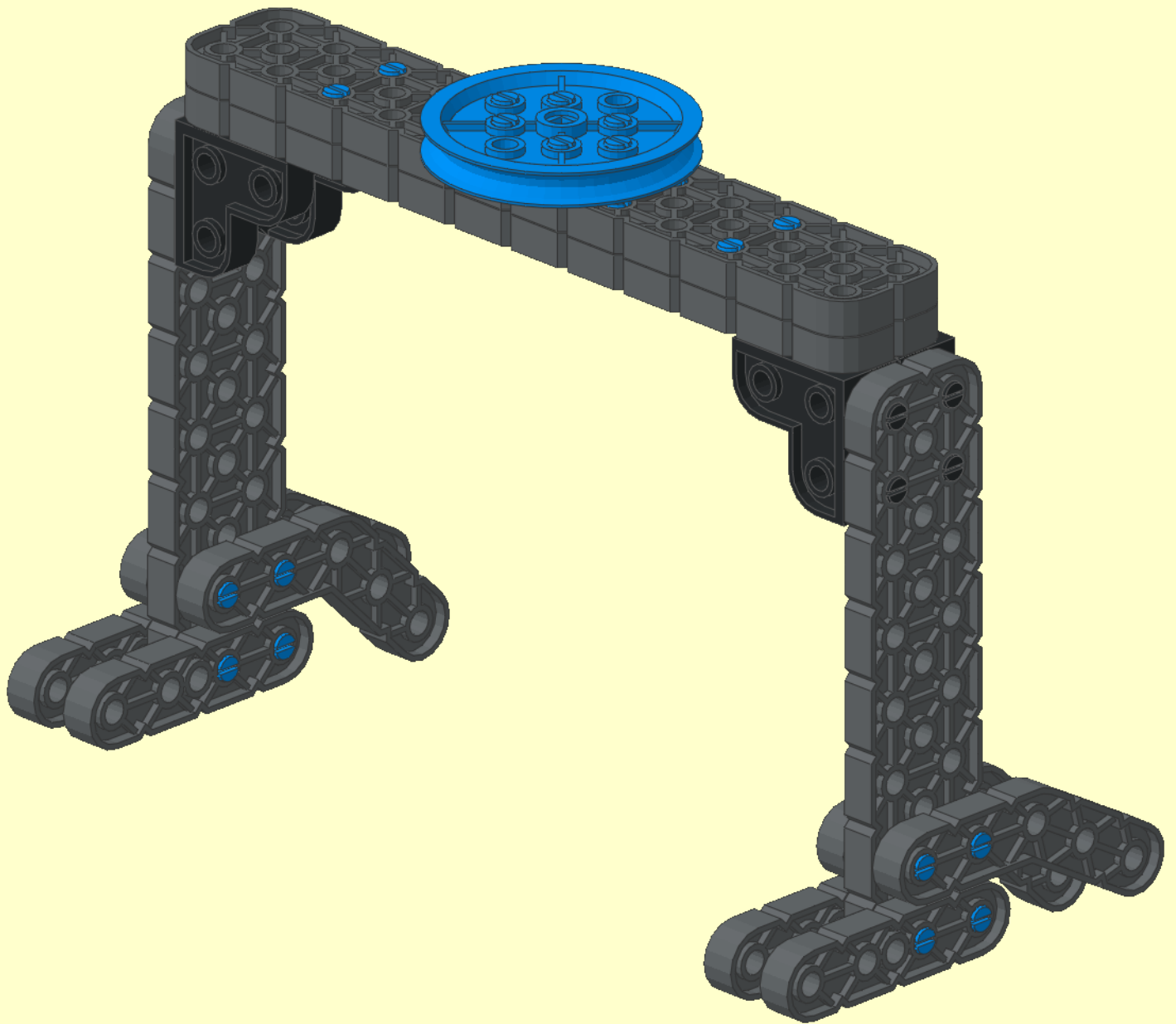
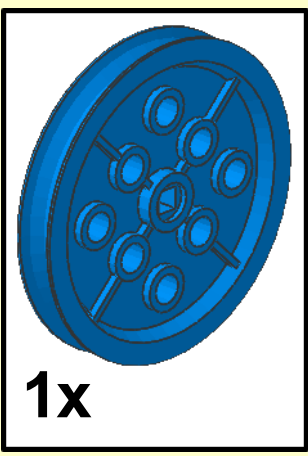
2  6x



3

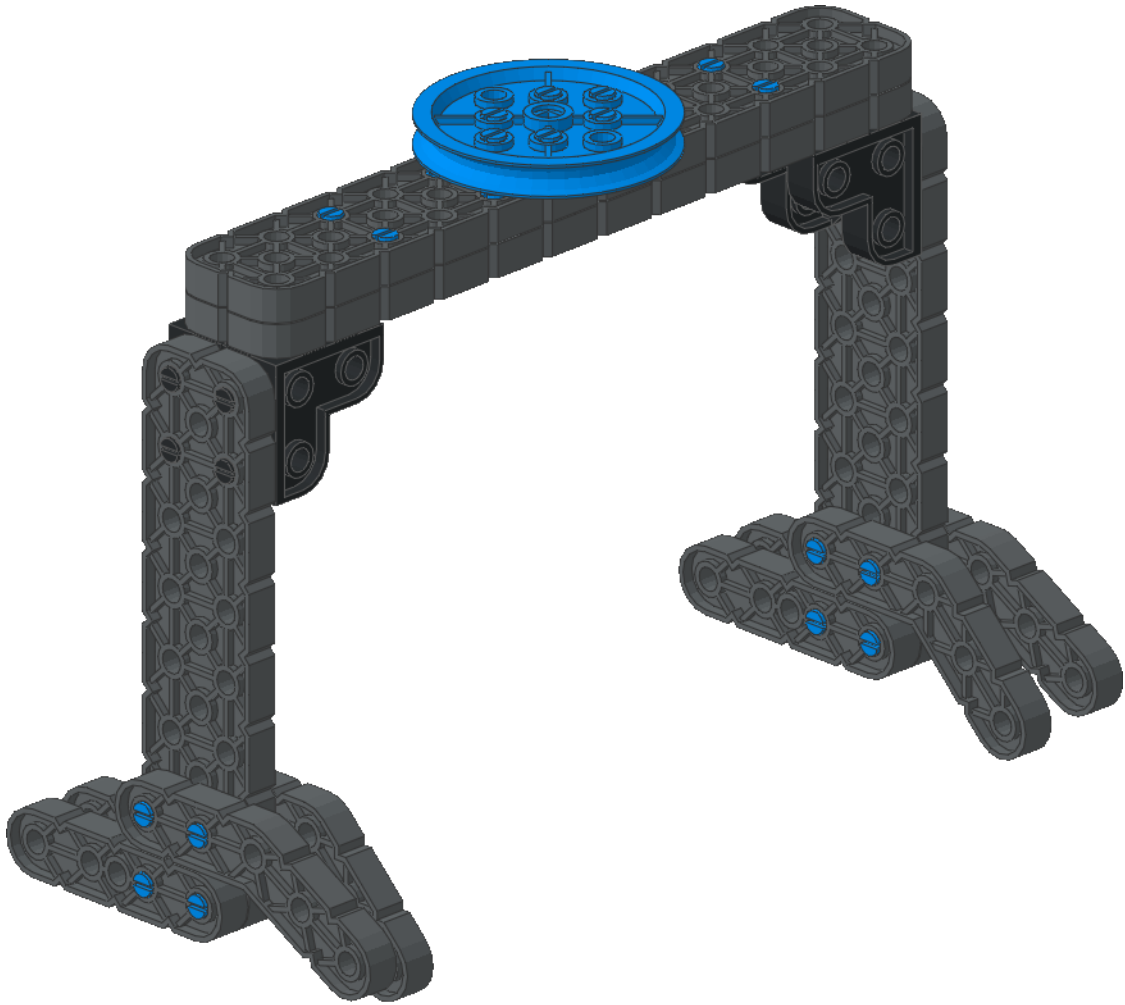


4





1

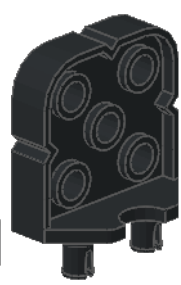
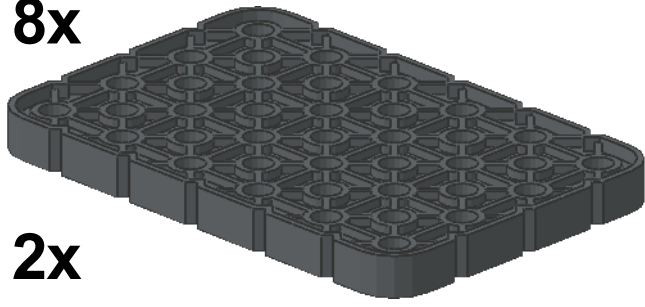


1



8x

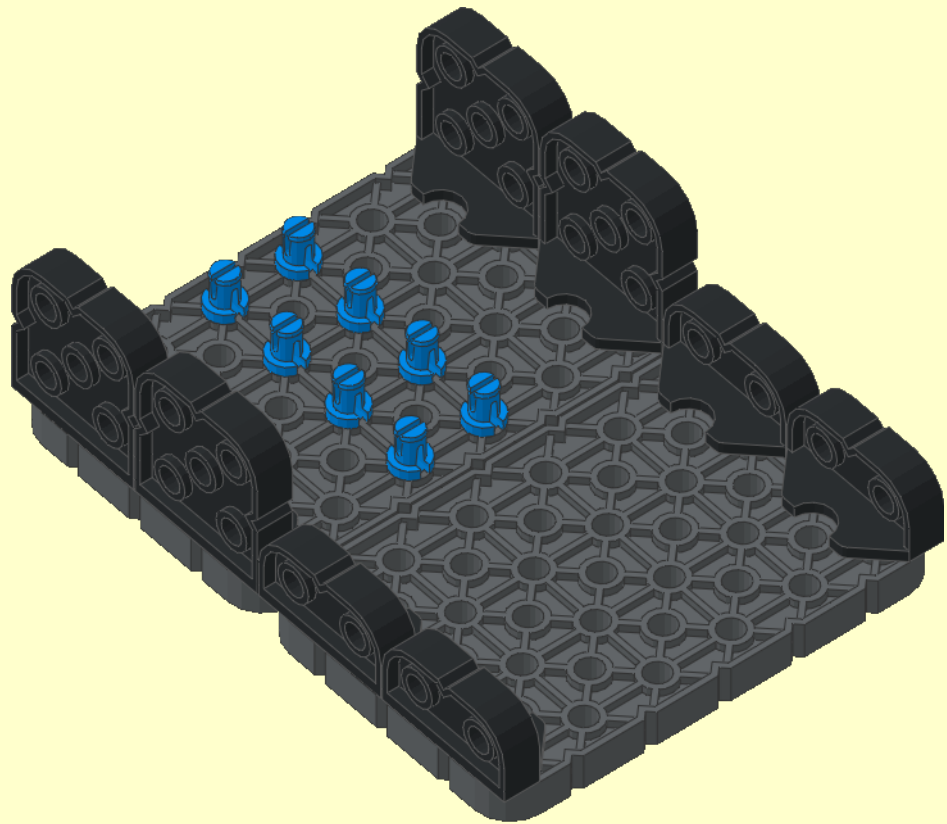
2x



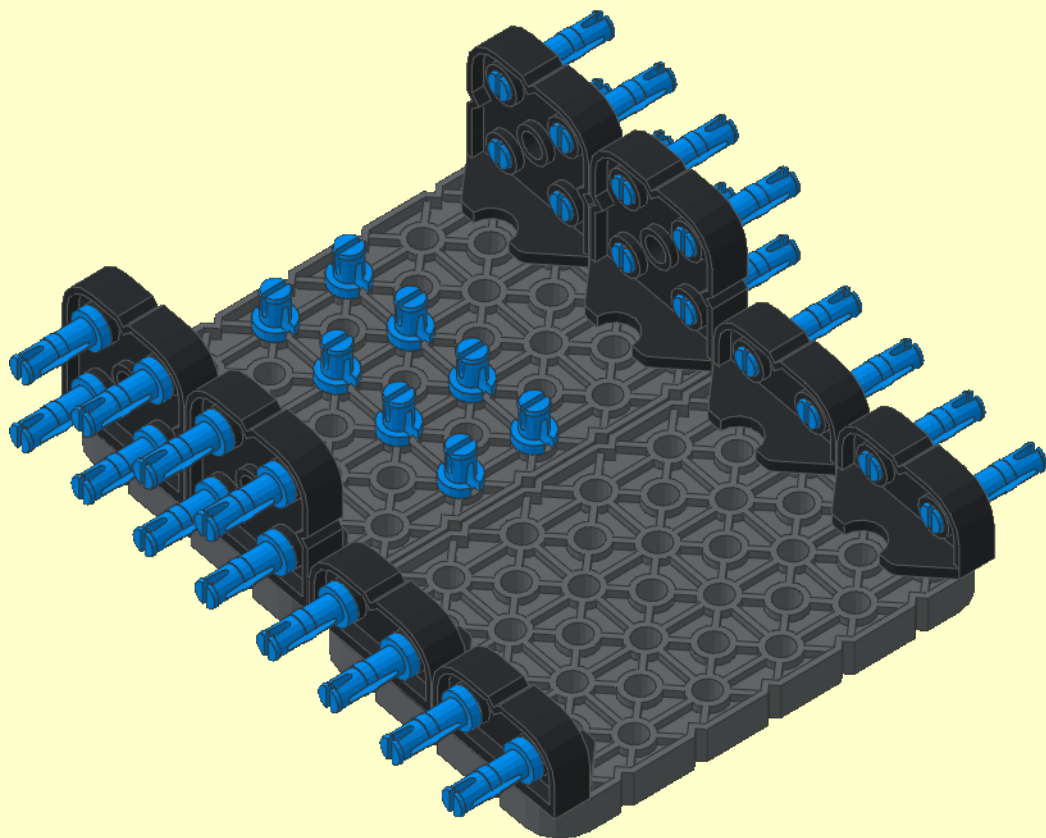
4x



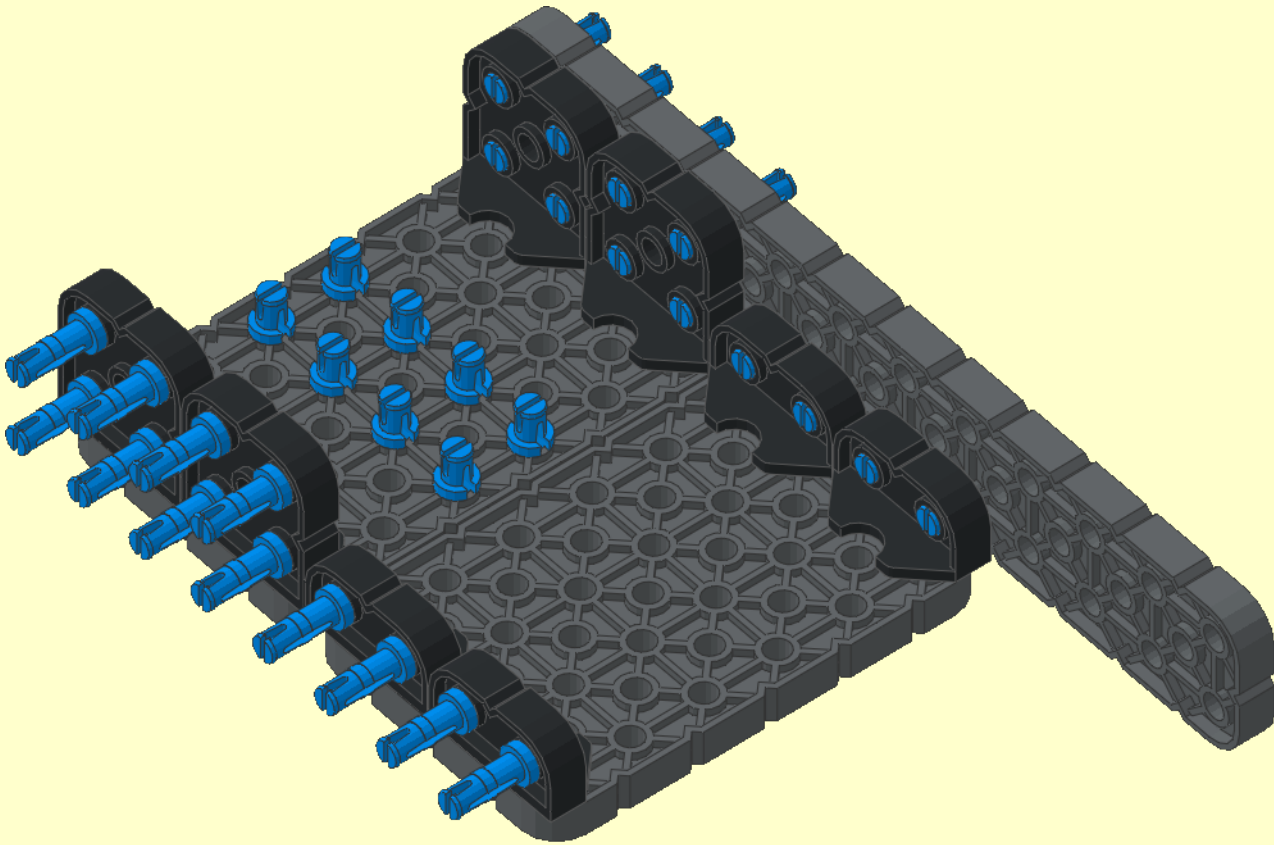
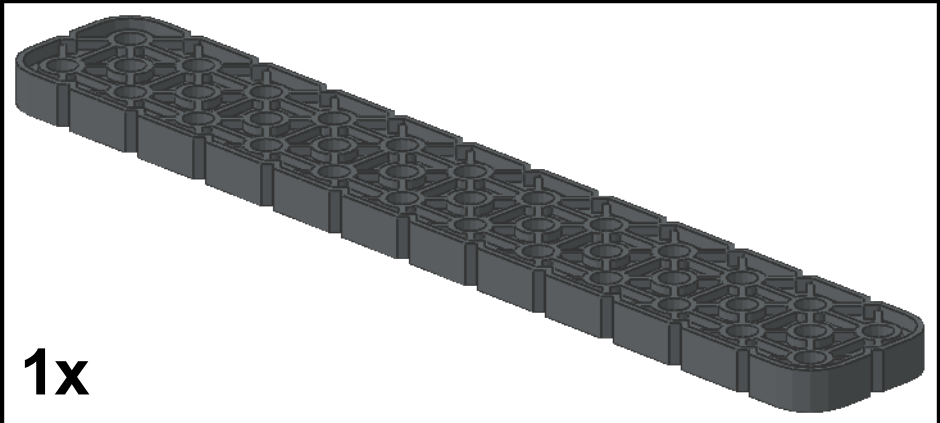
4x

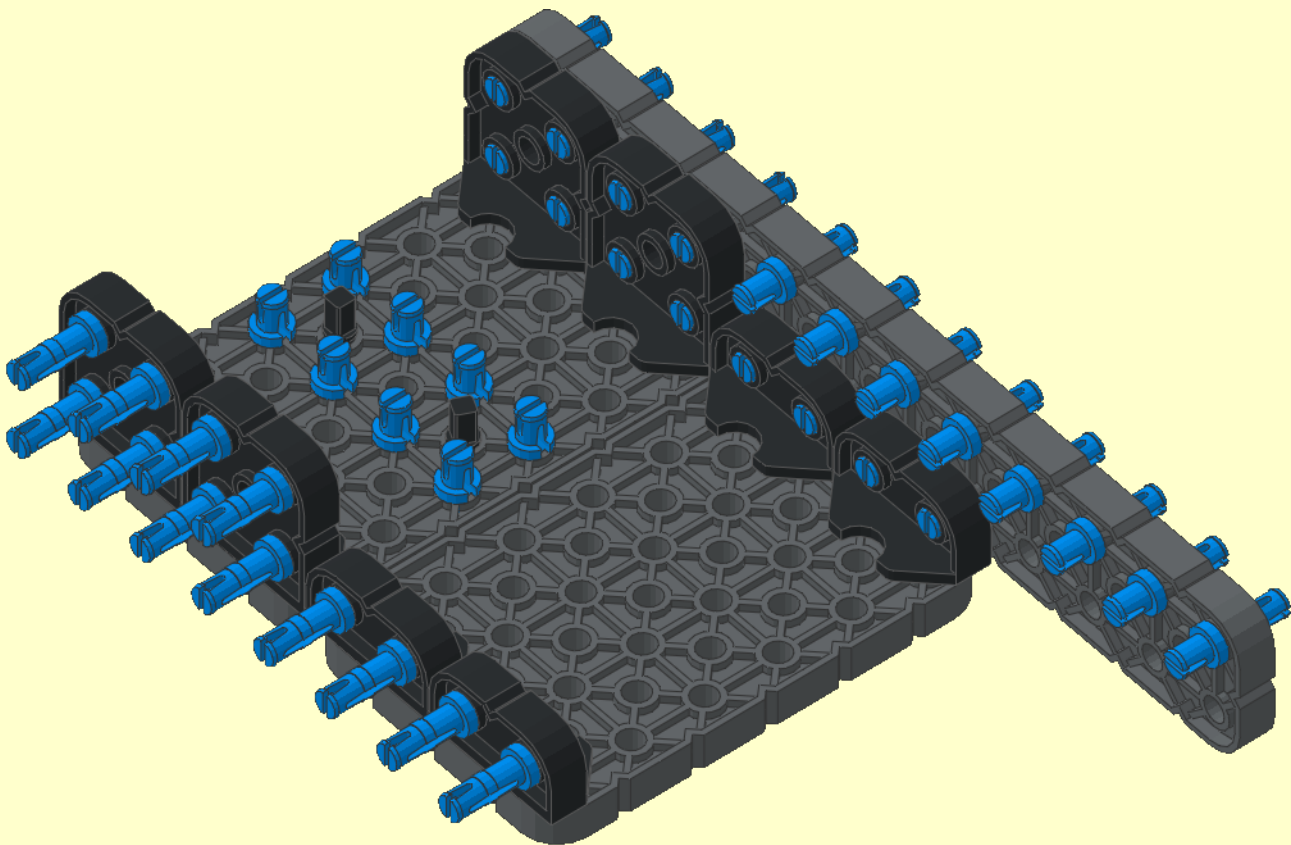
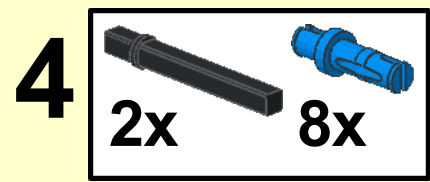


2  
24x



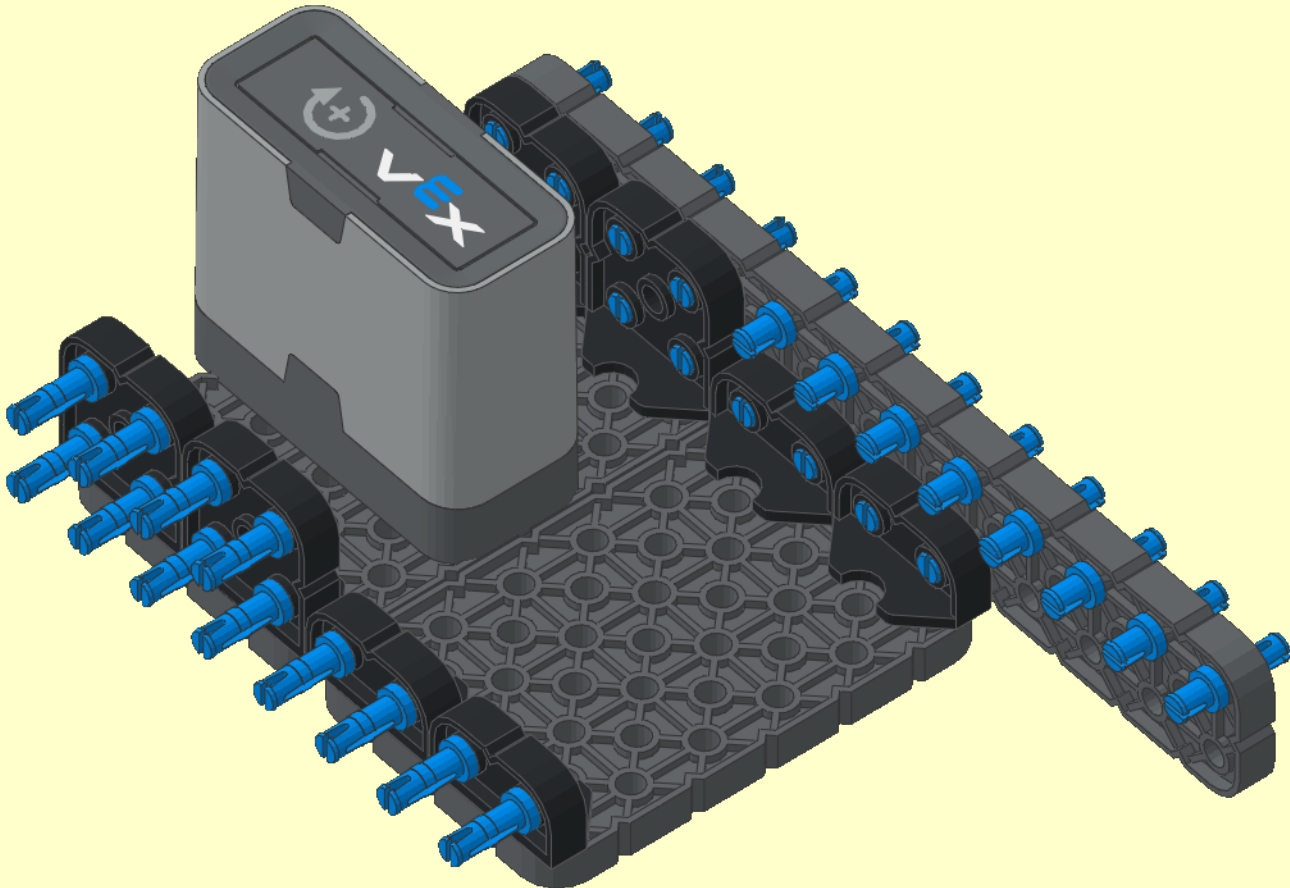
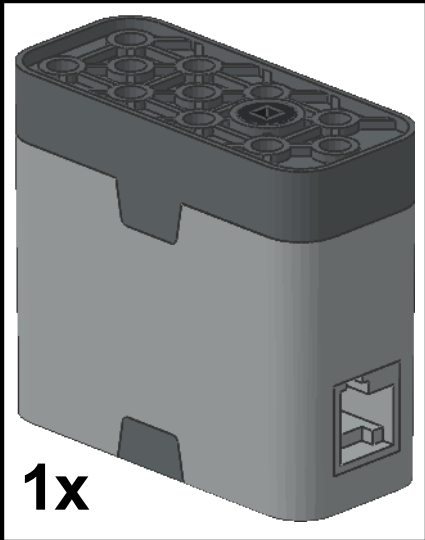
3



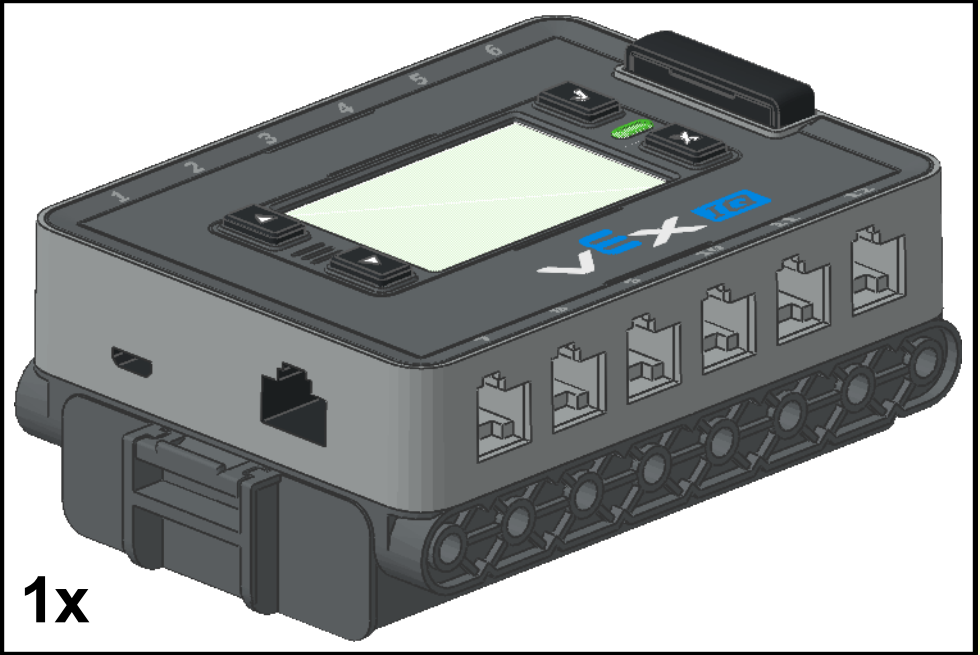




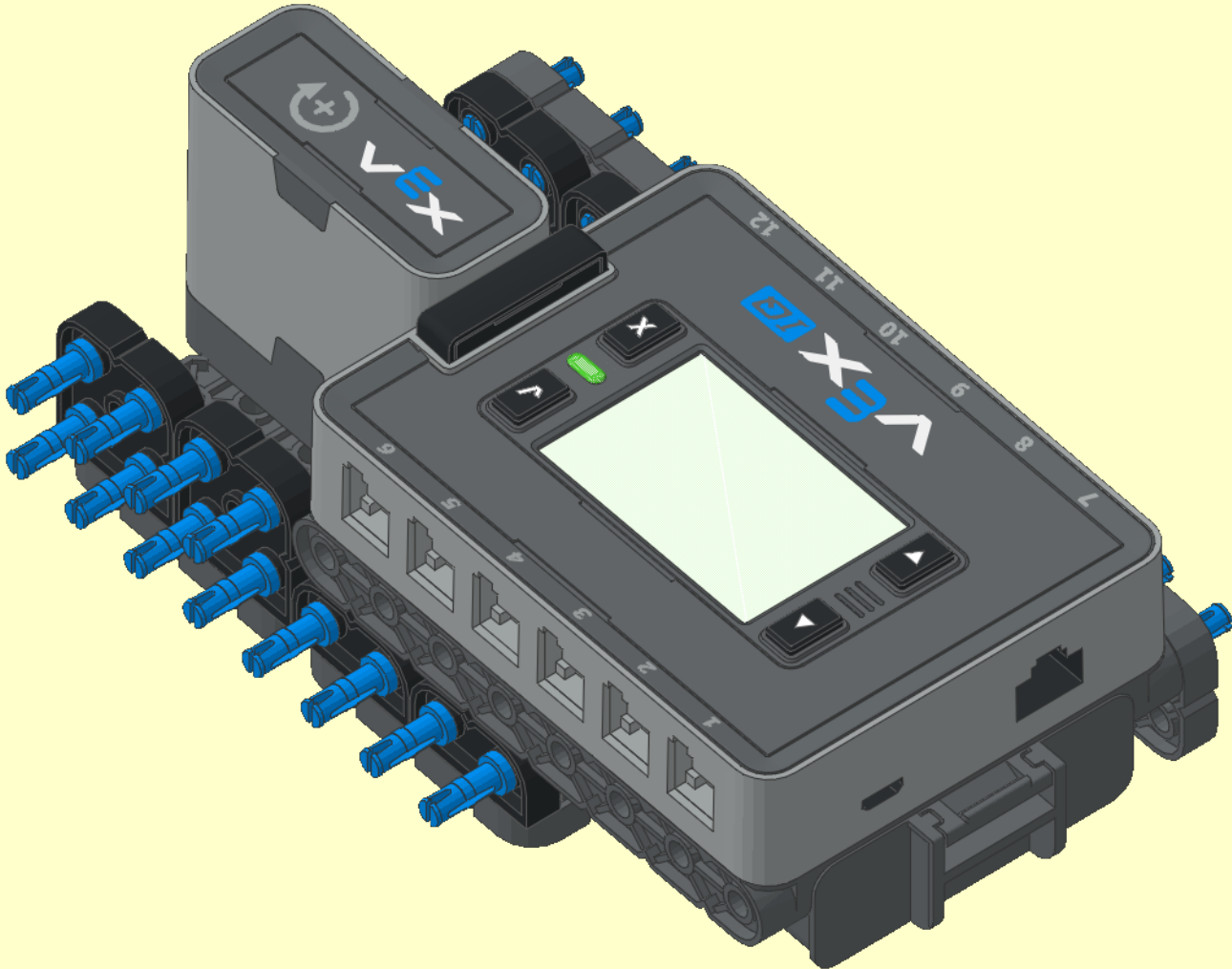
5



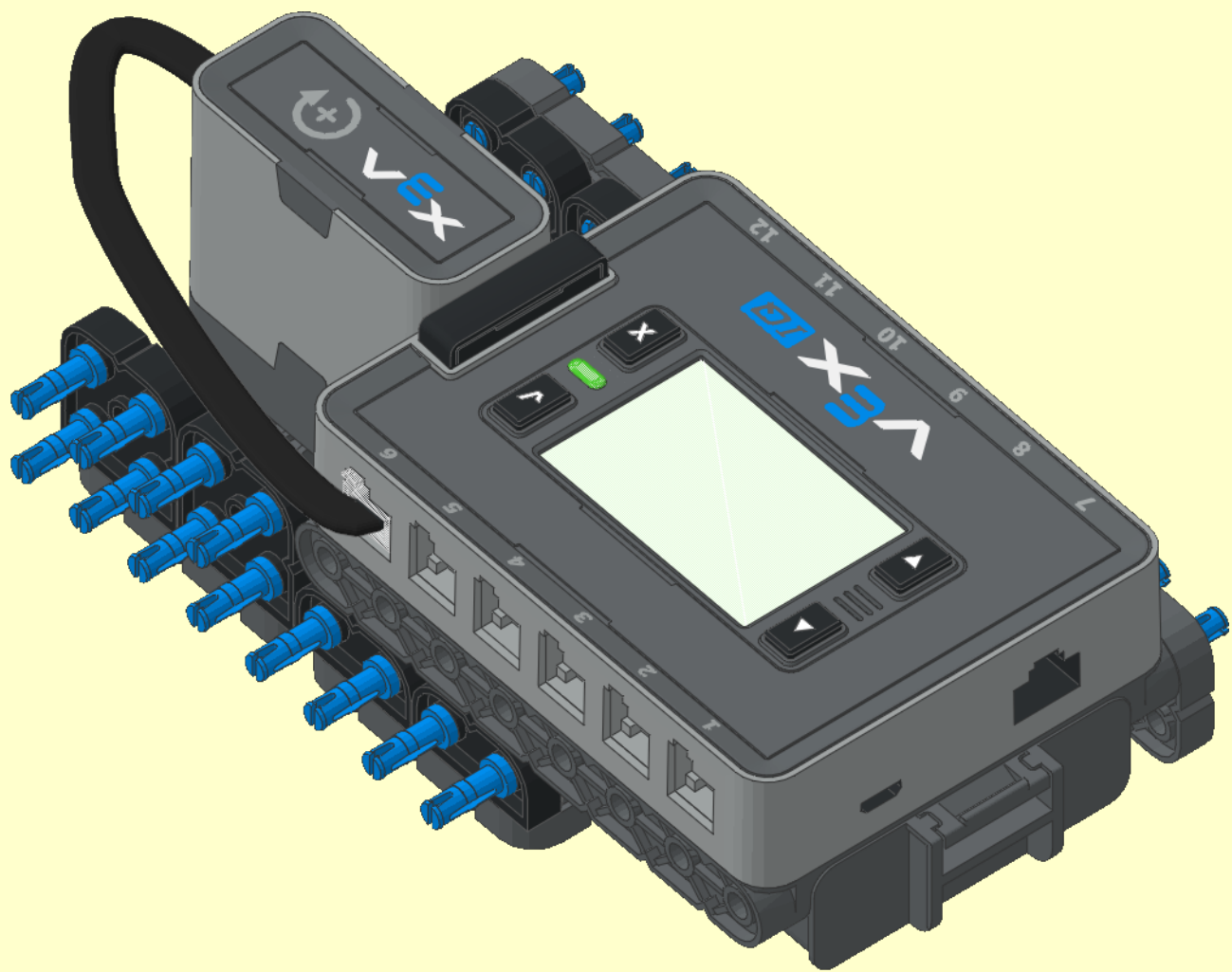
6



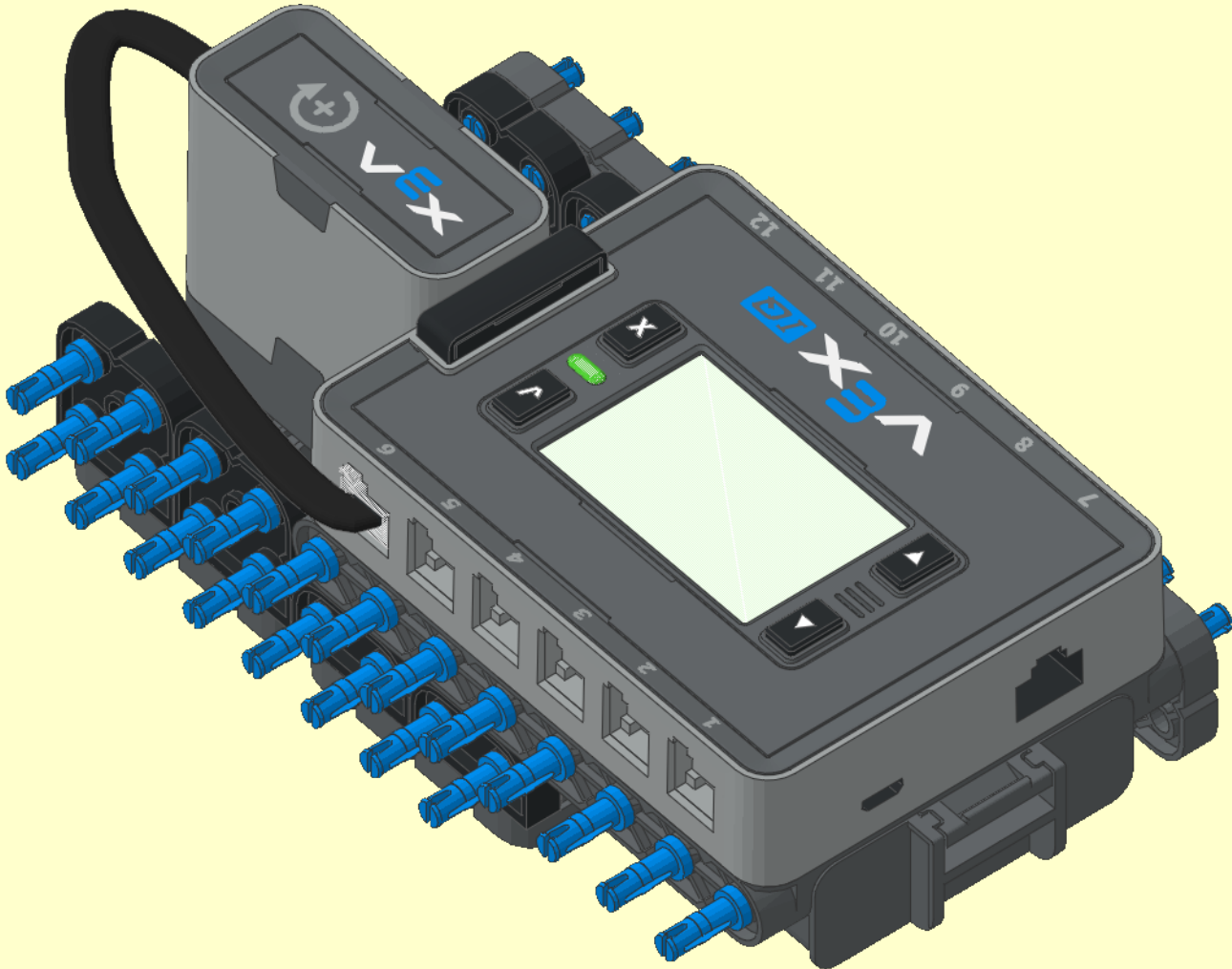
1x



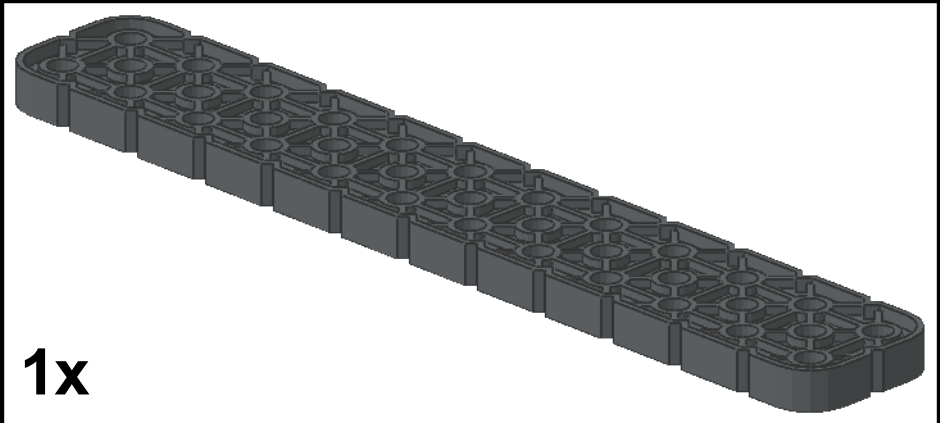
7



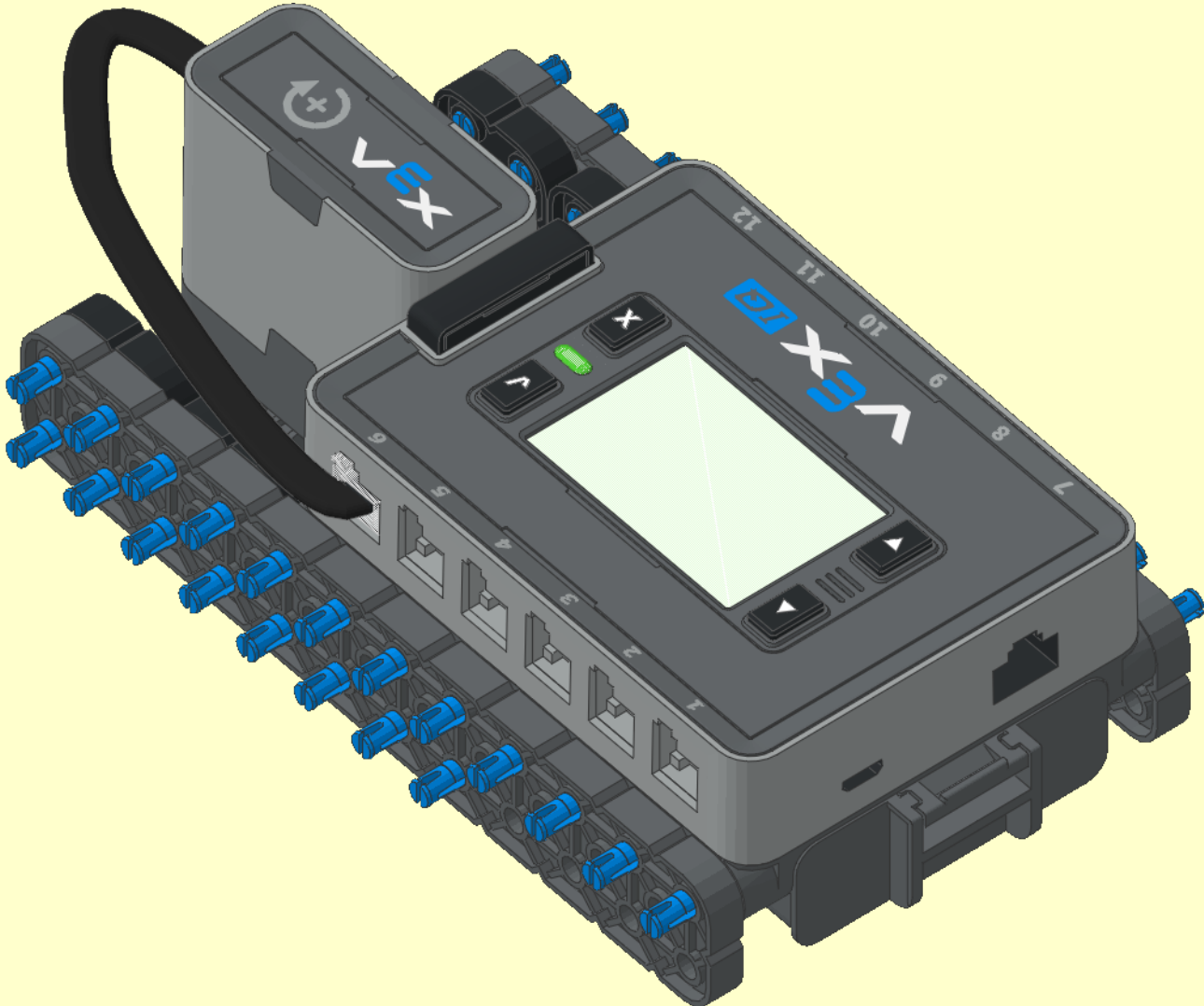
8



9

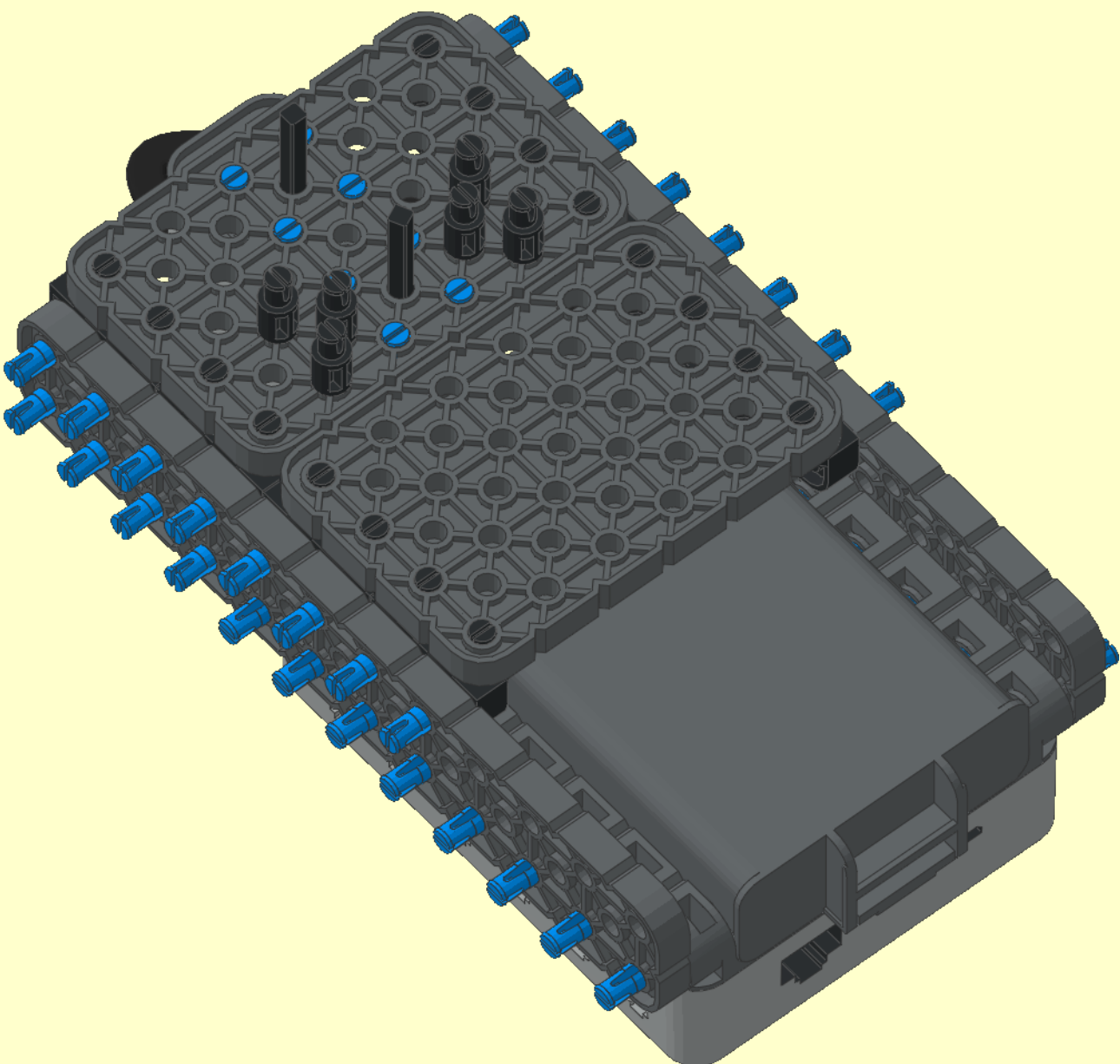


1x





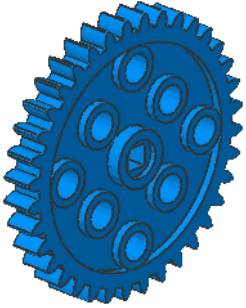
10



11



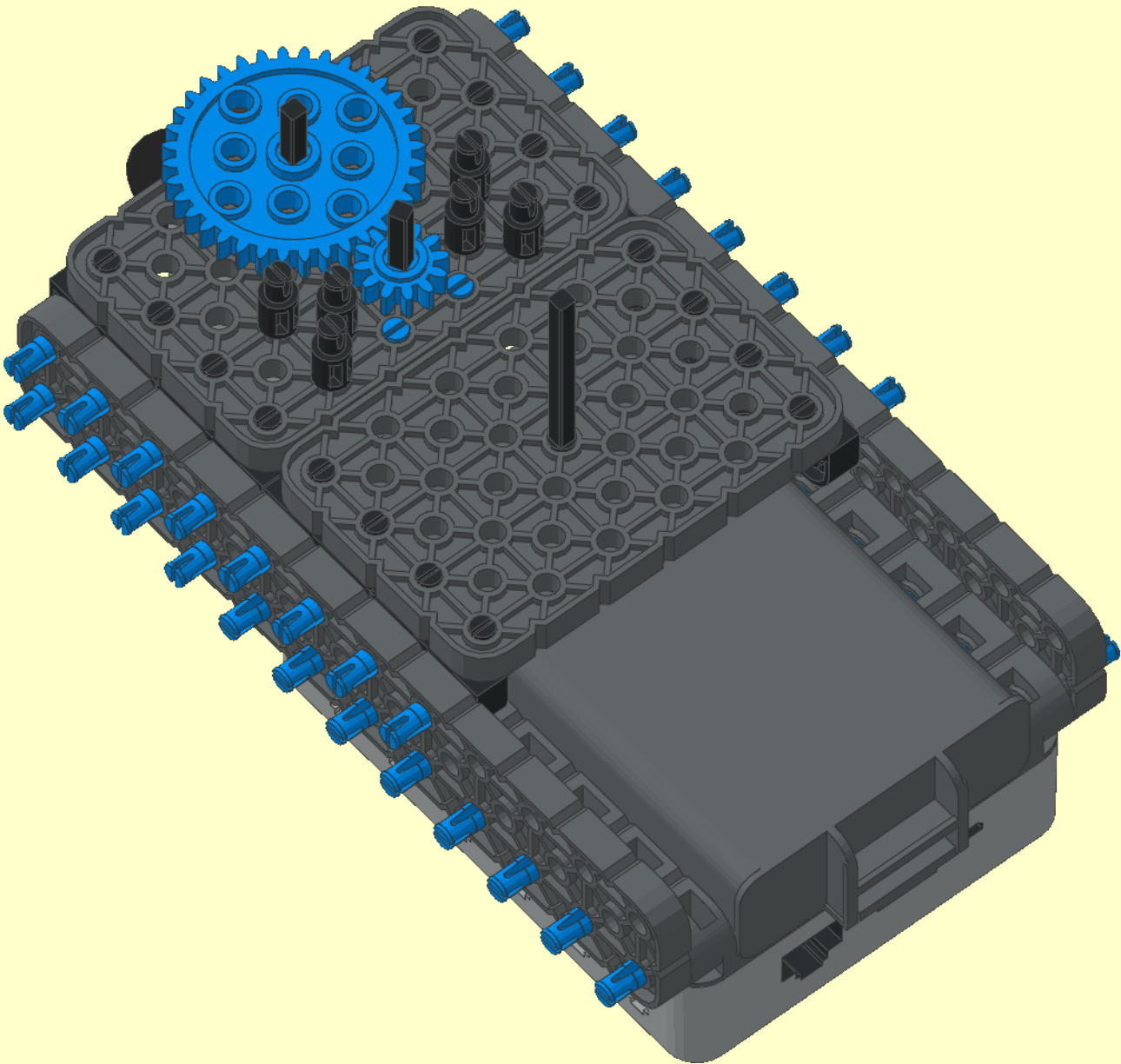
1x



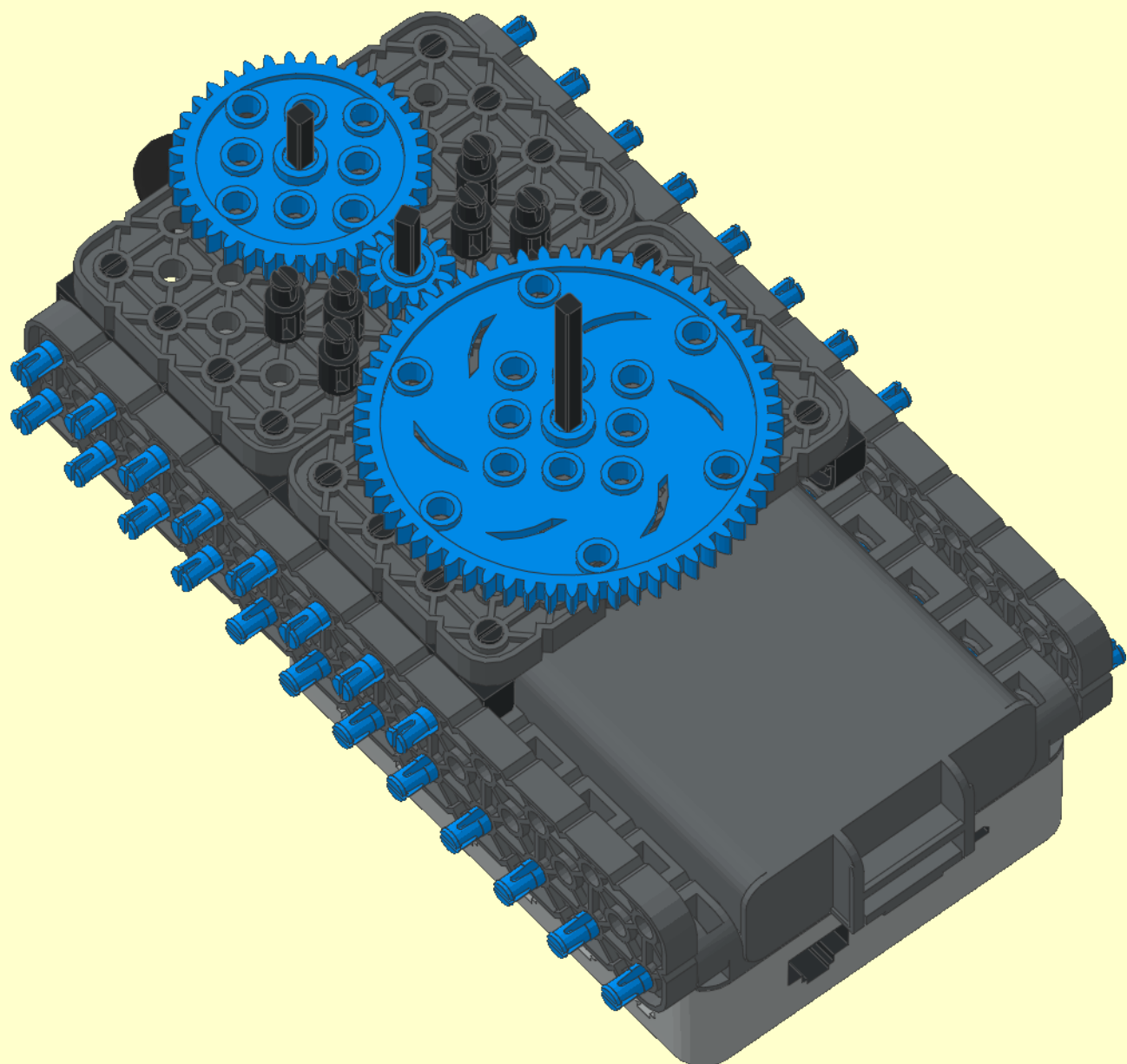
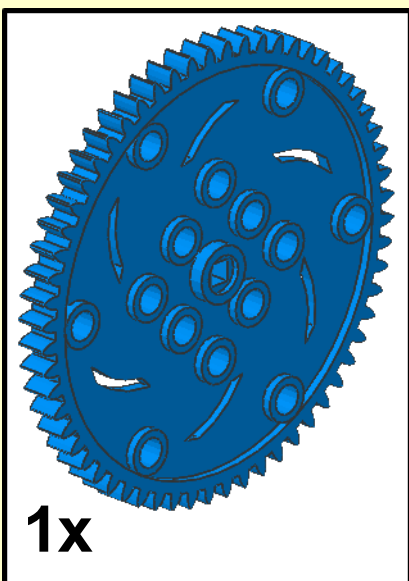
1x



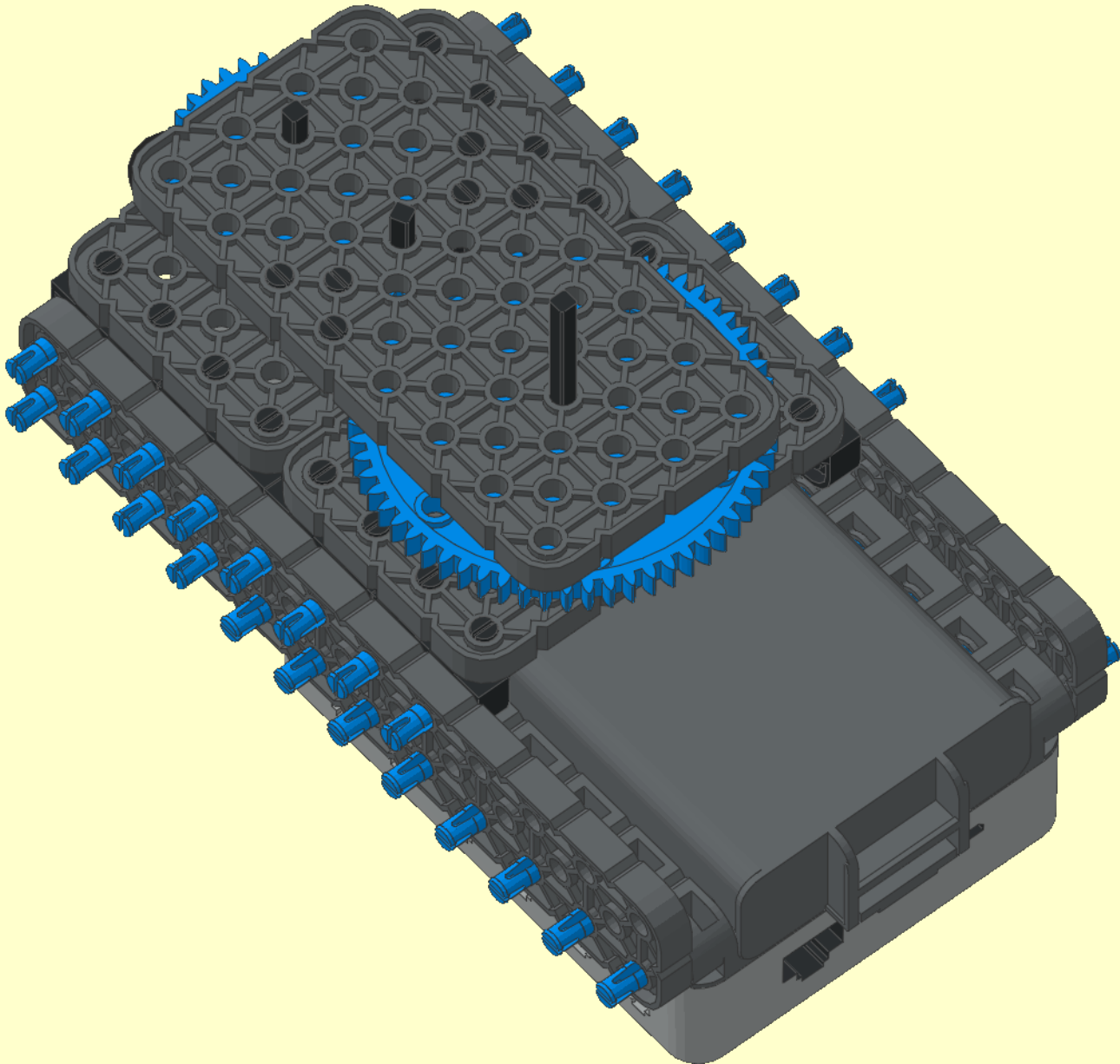
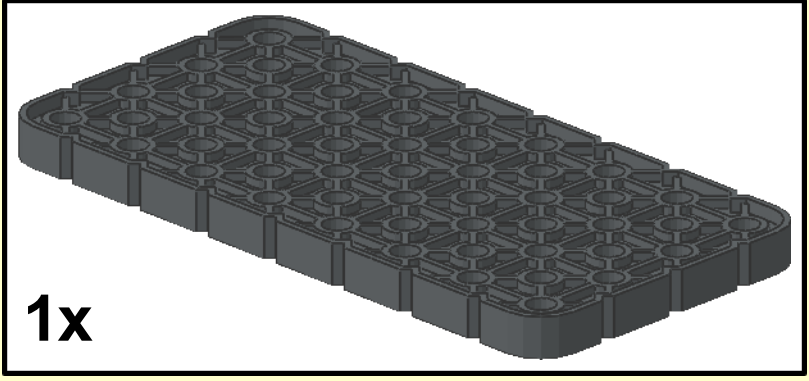
1x



12



13

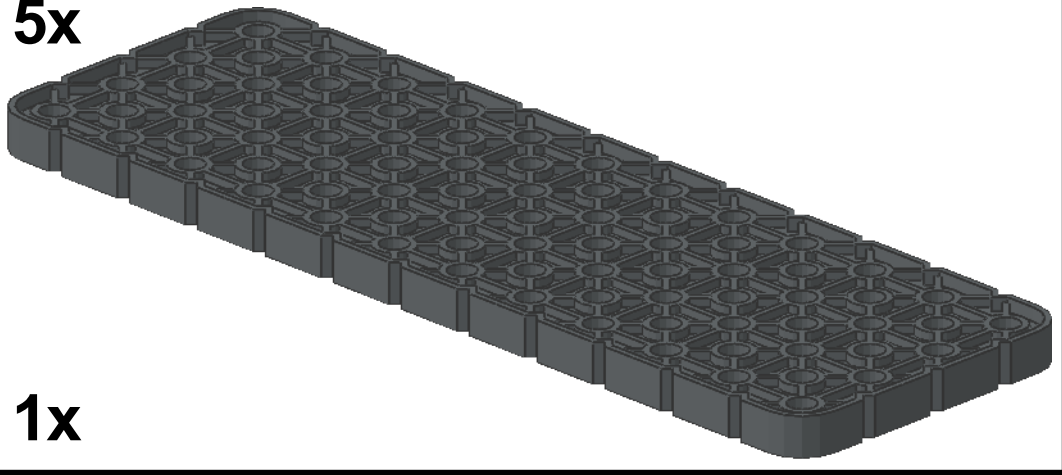




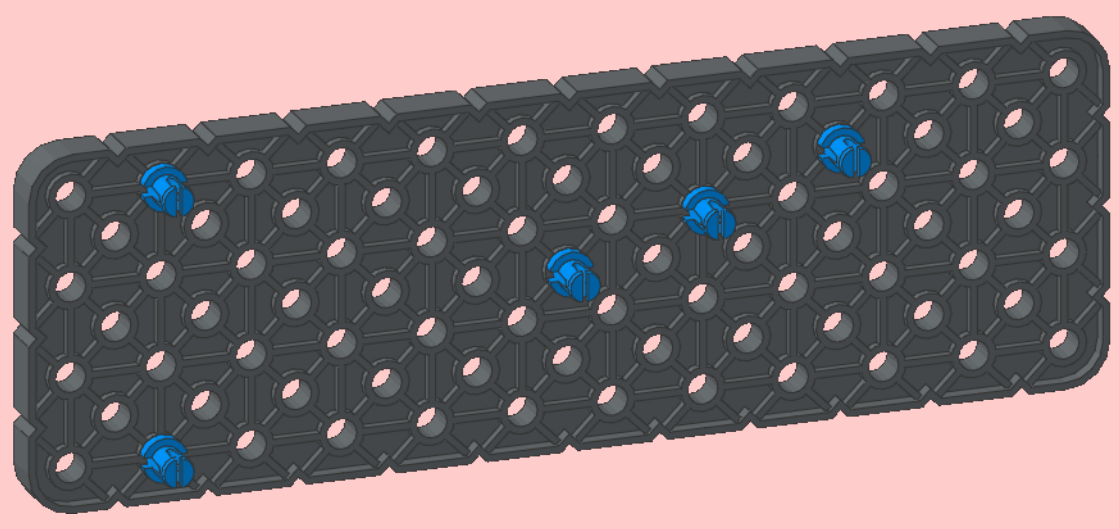
1



5x

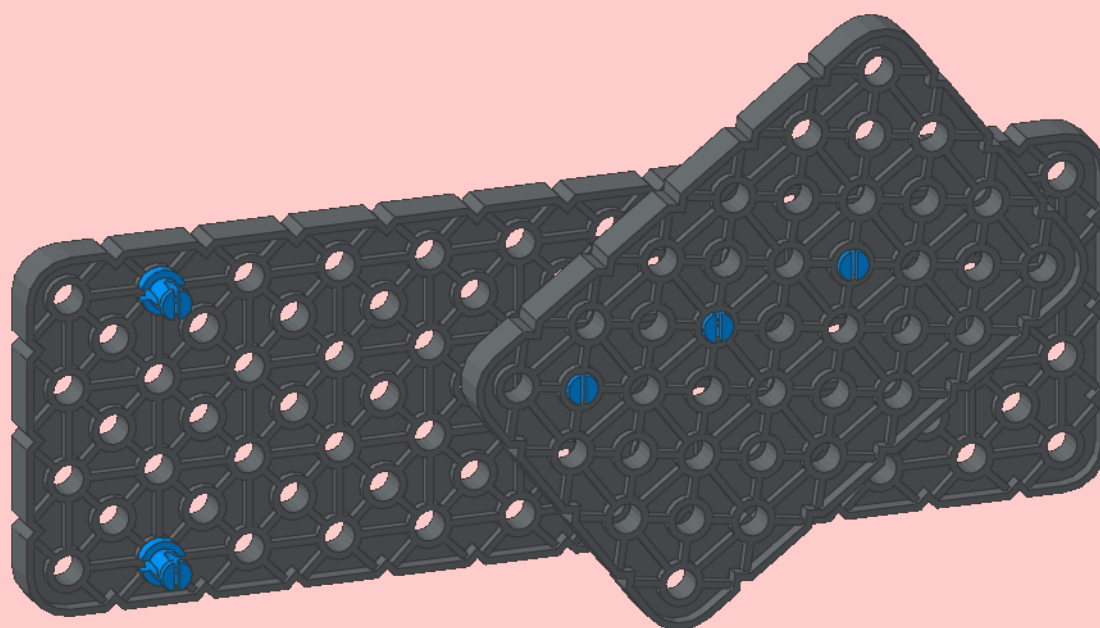
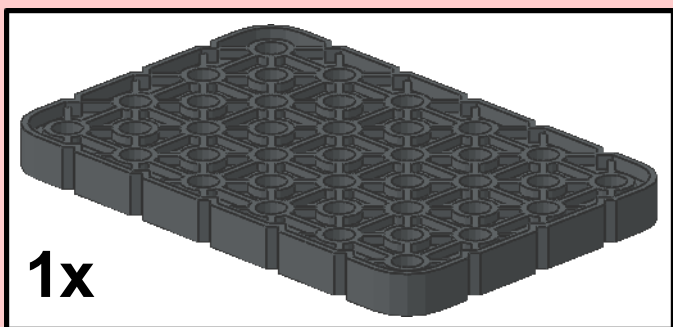


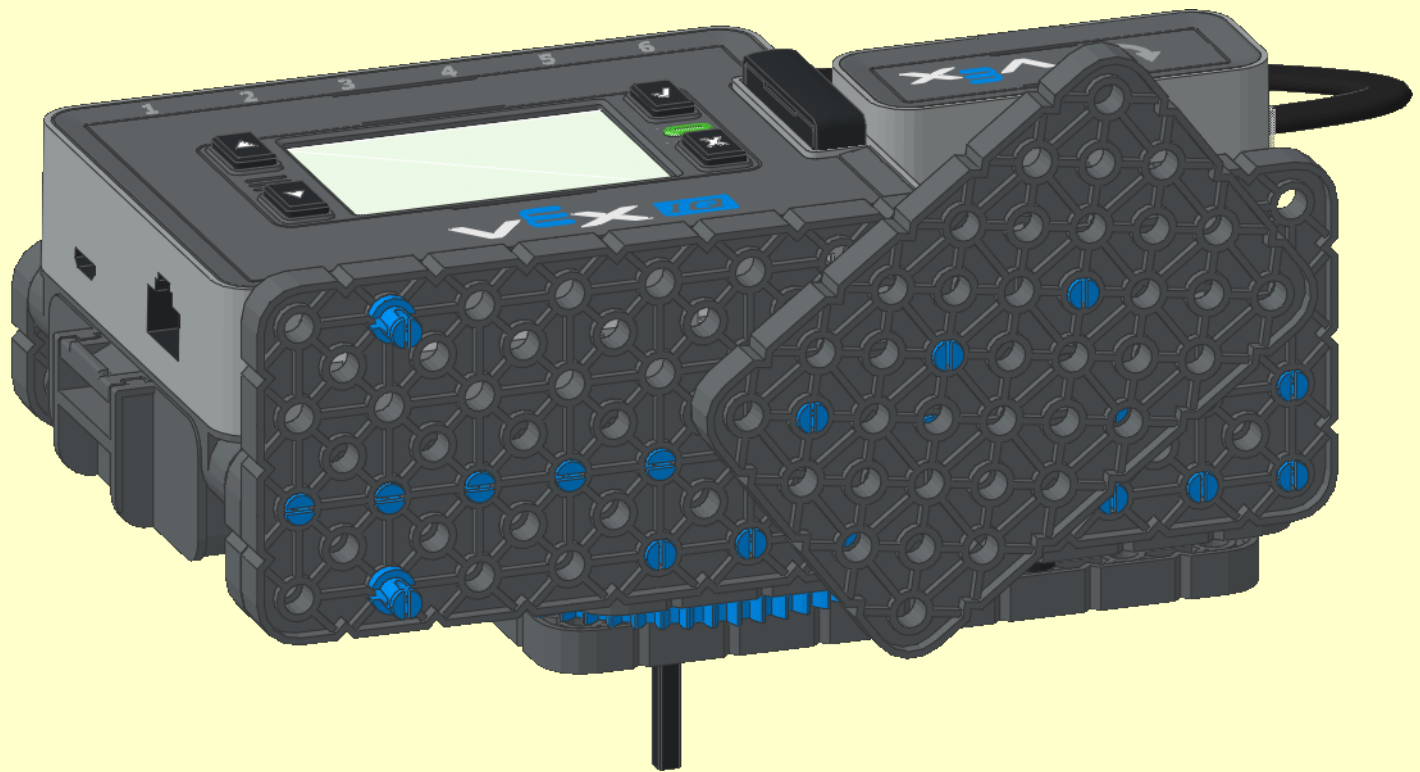
1x





2

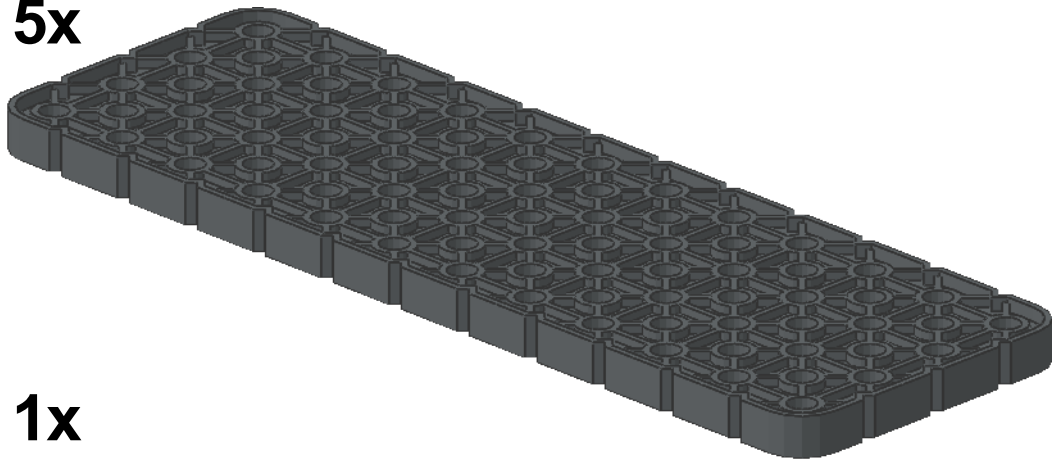




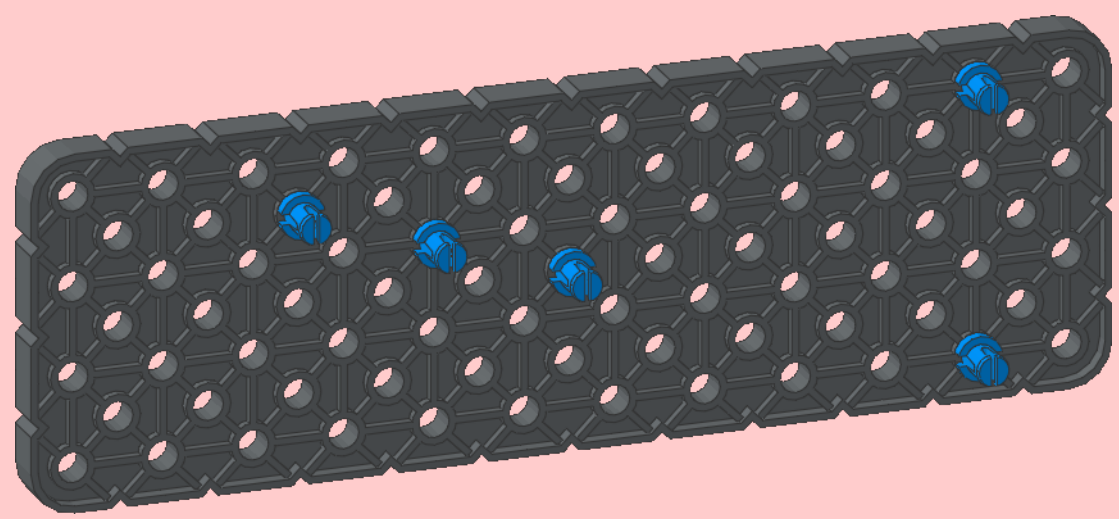
1



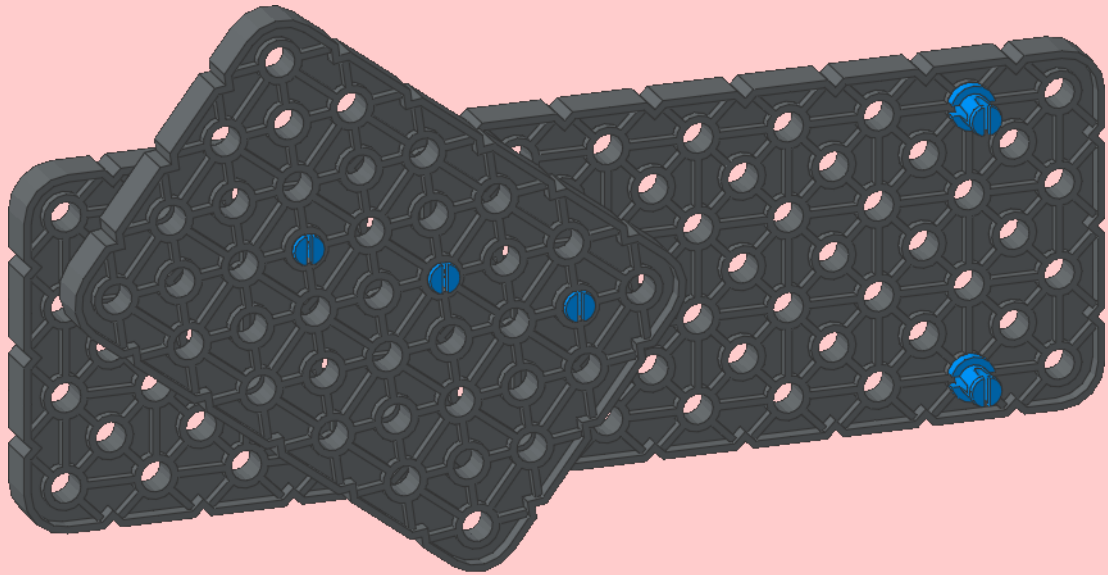
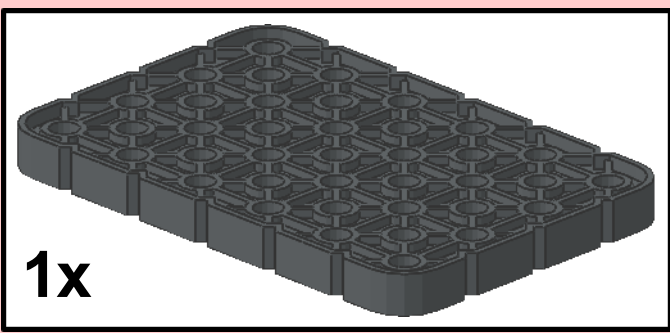
5x



1x



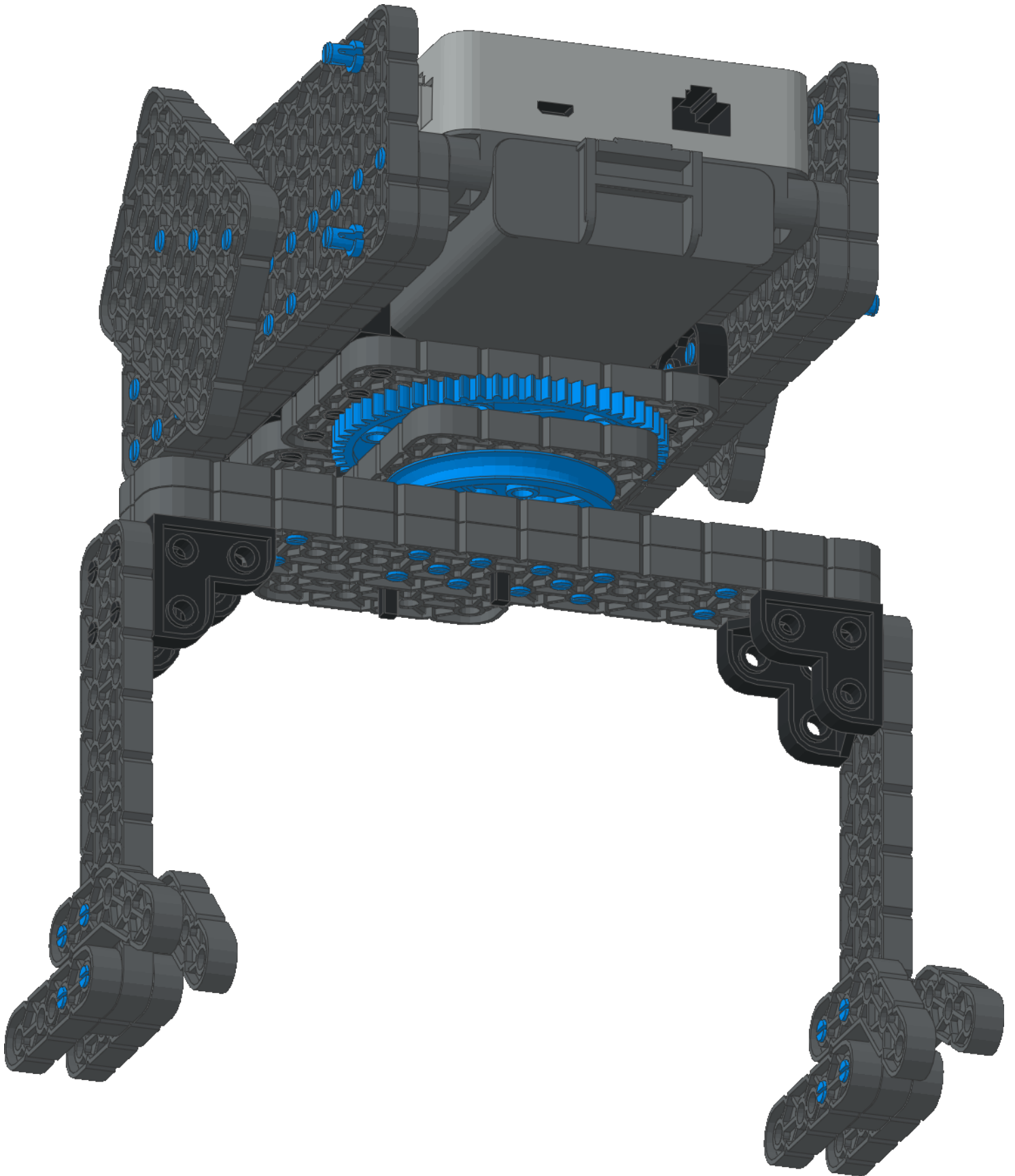
2



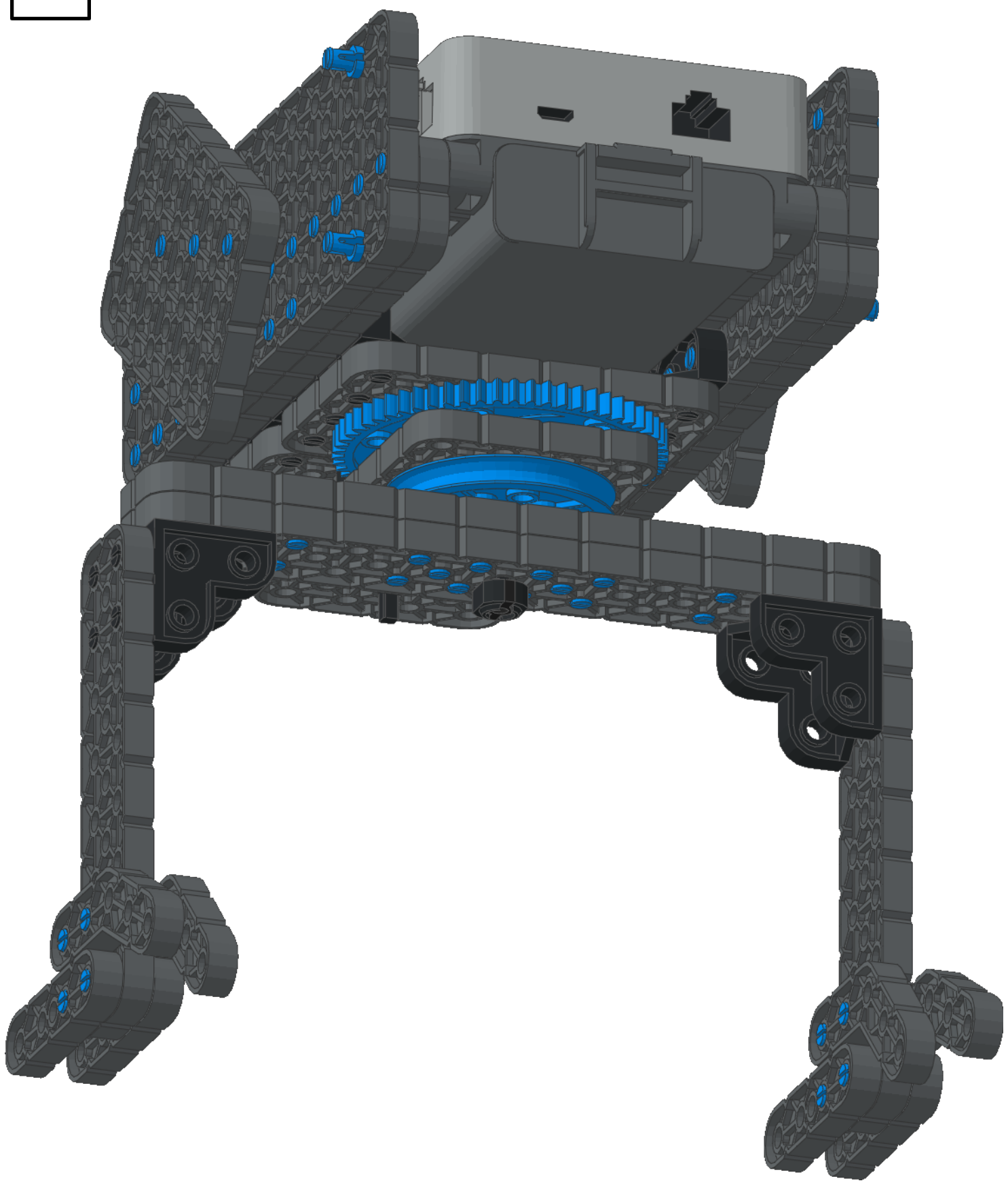


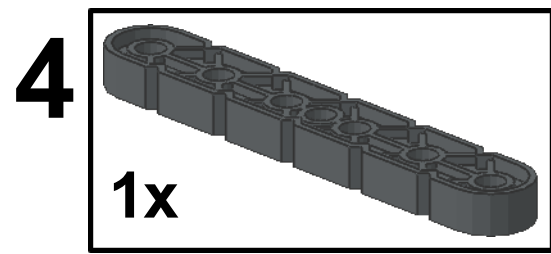


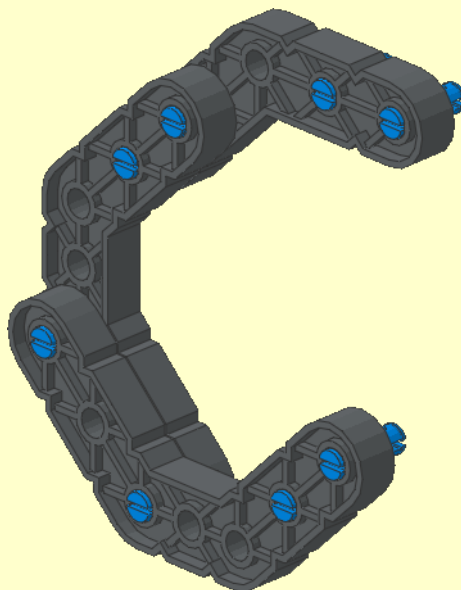
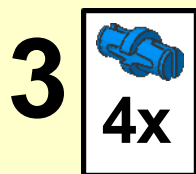
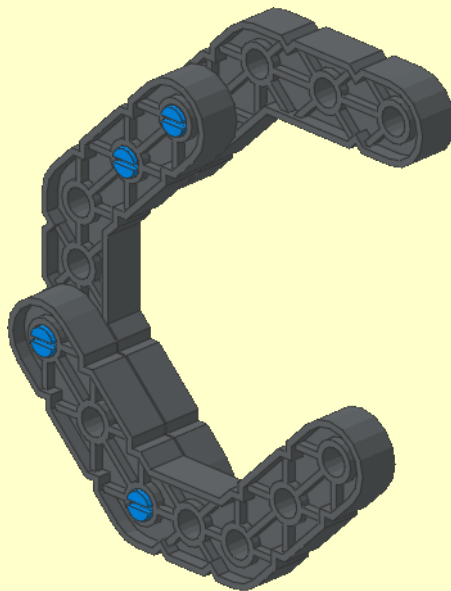
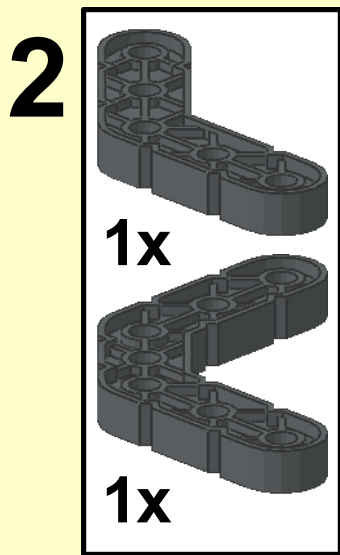
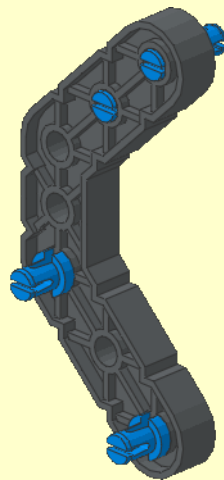
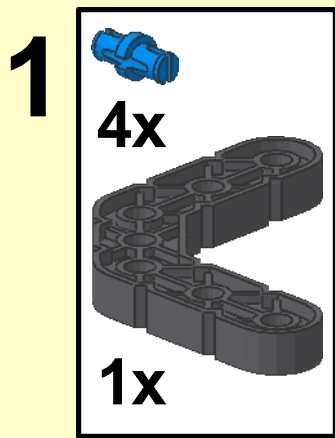
2



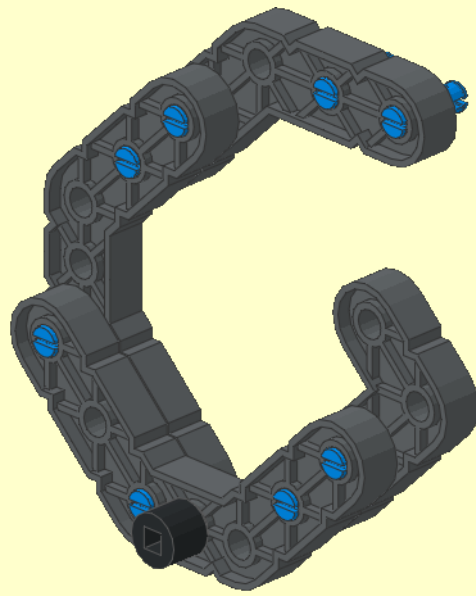
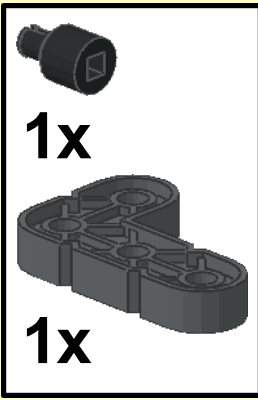
3



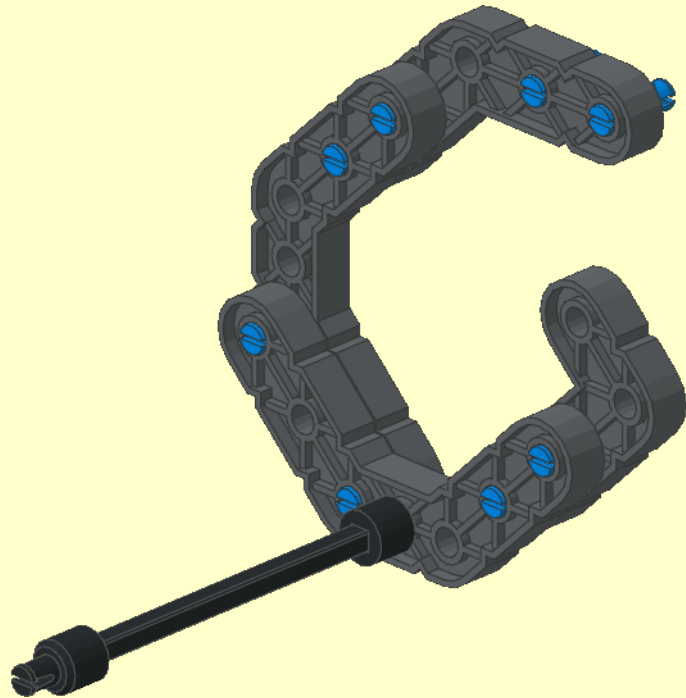
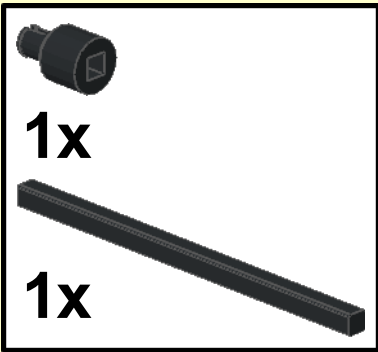




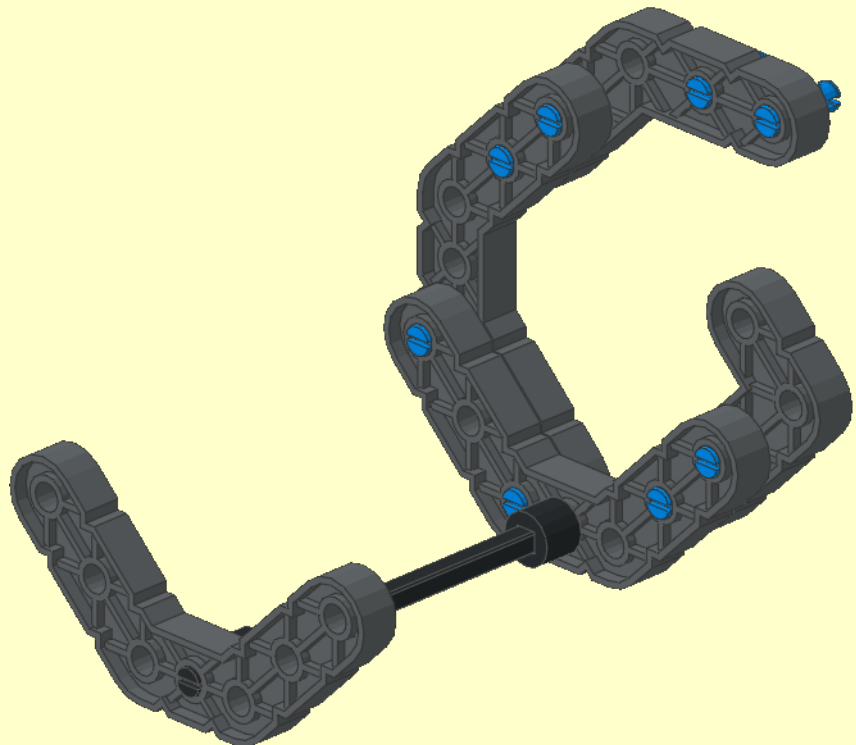
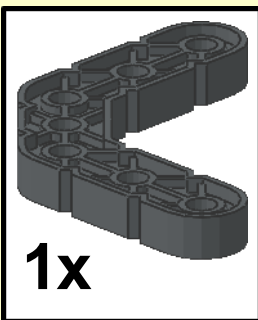
4




5

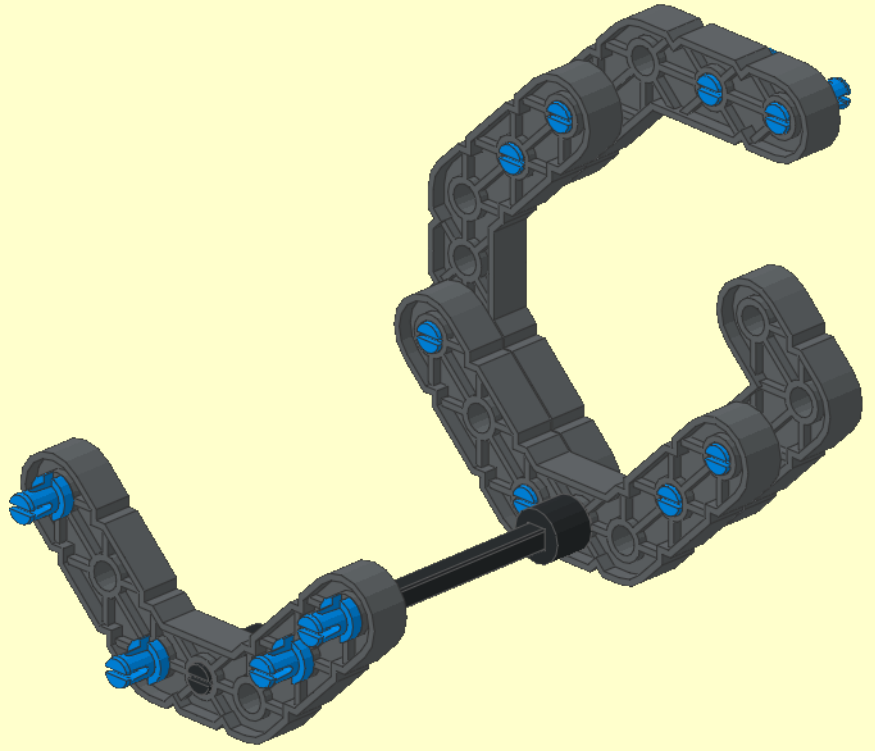


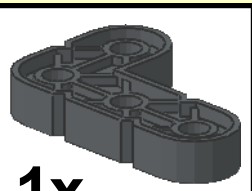
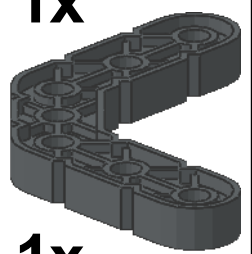
6

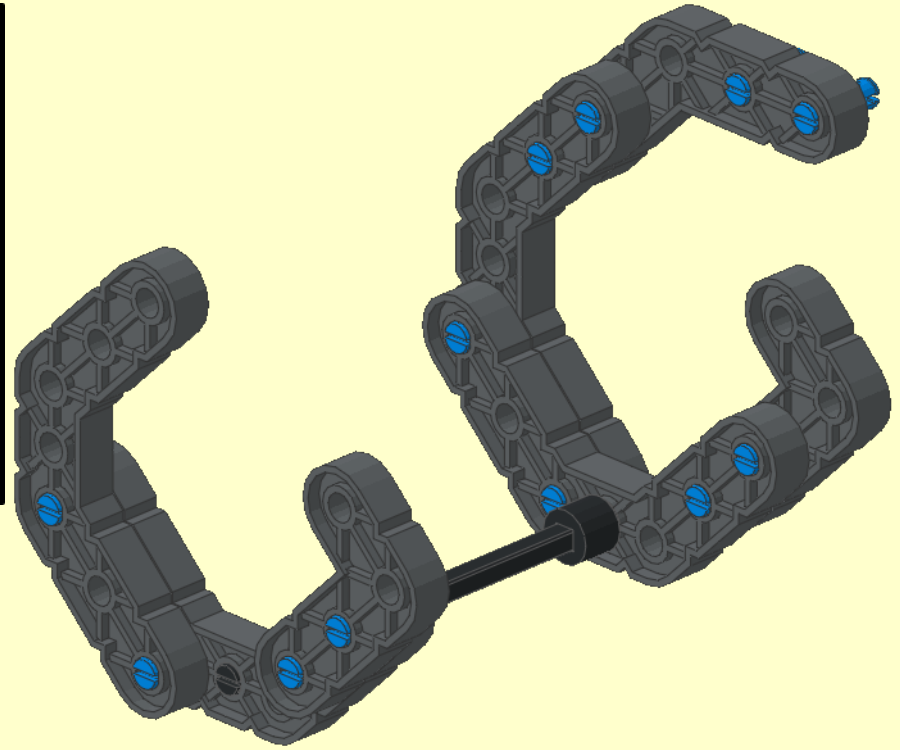


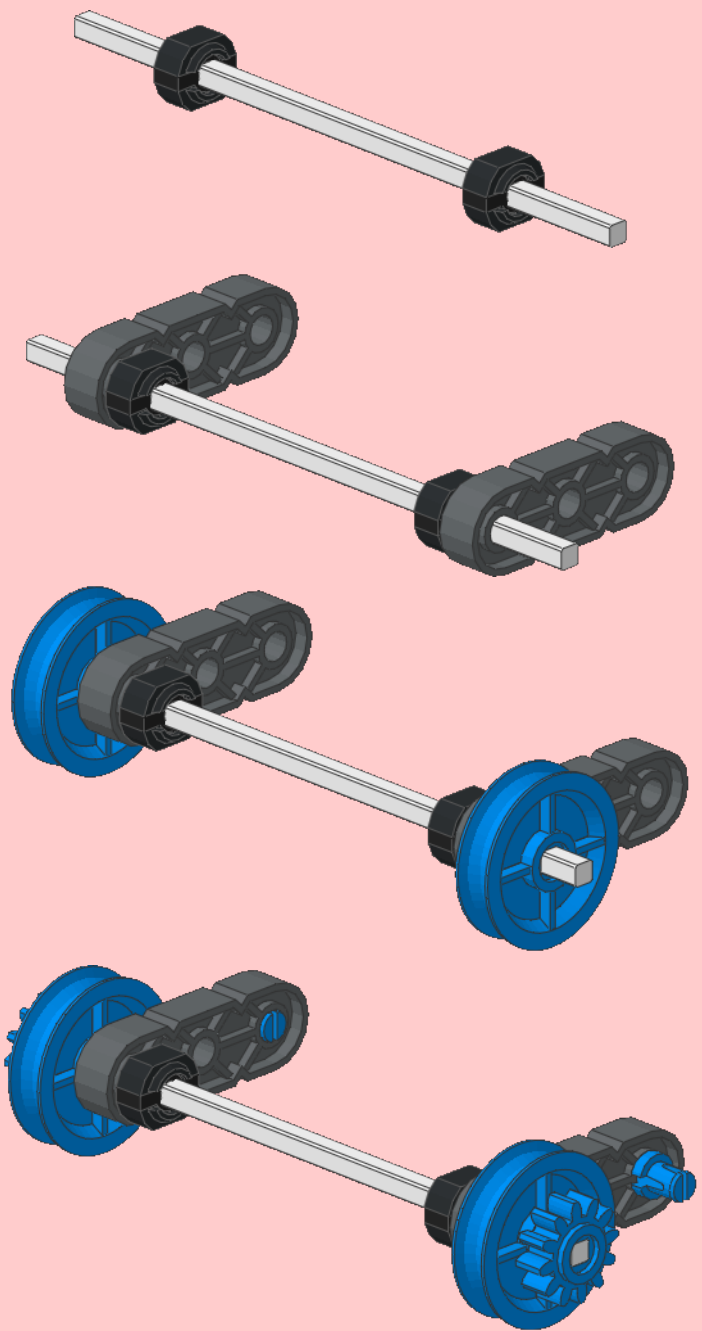
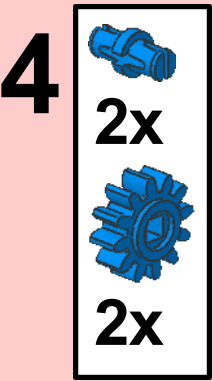
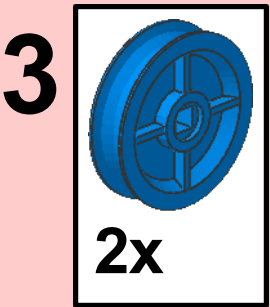
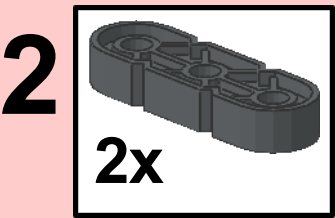
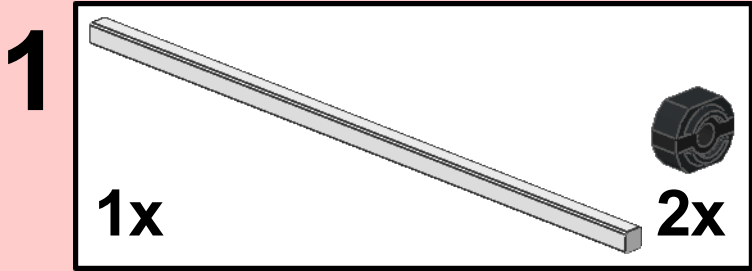


7   
4x

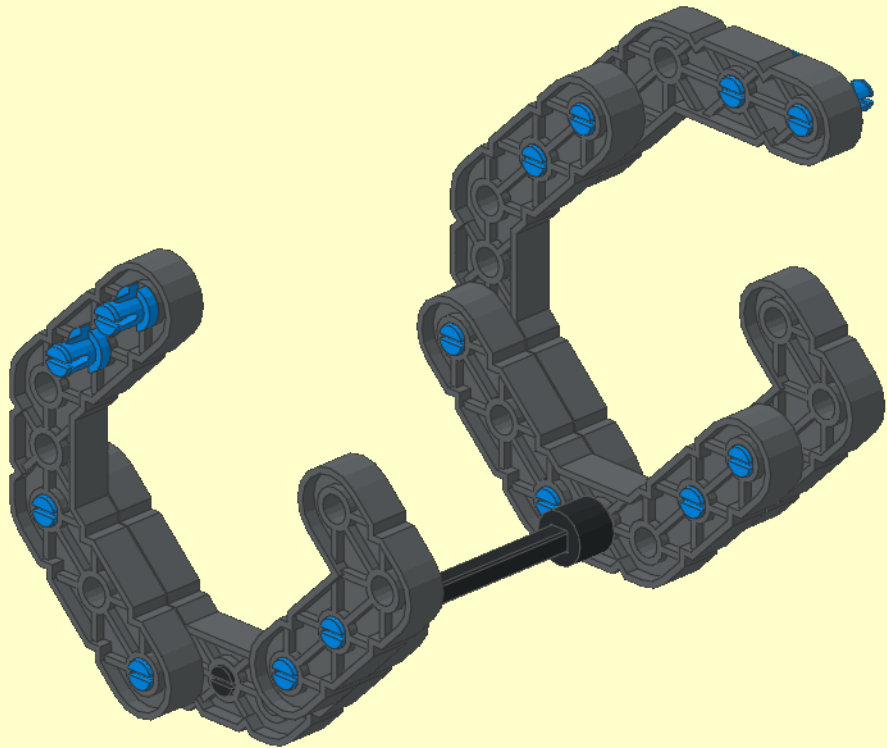


8   
1x  
  
1x

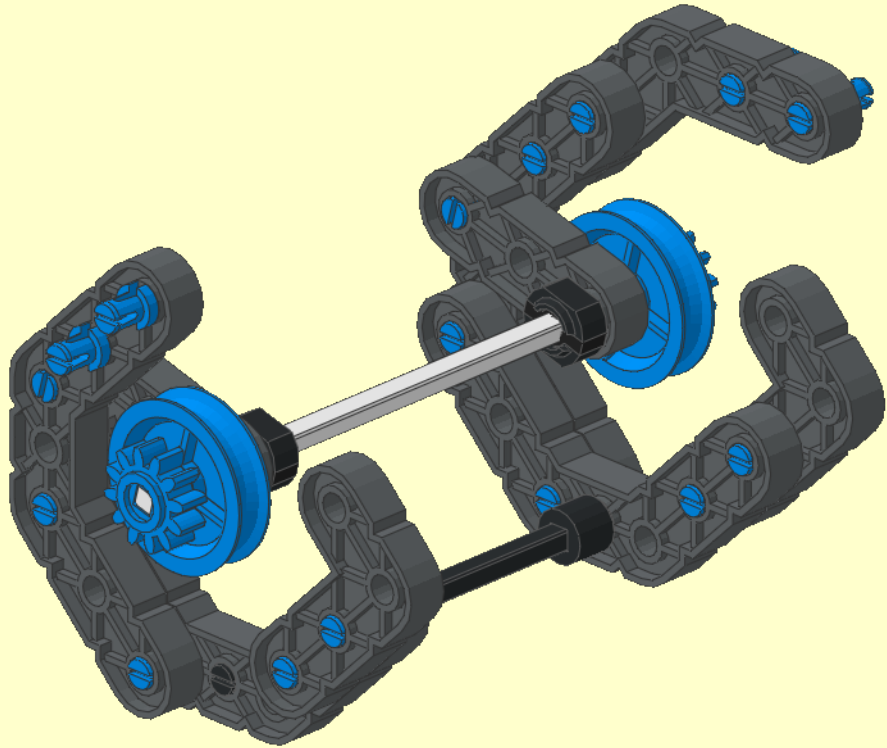




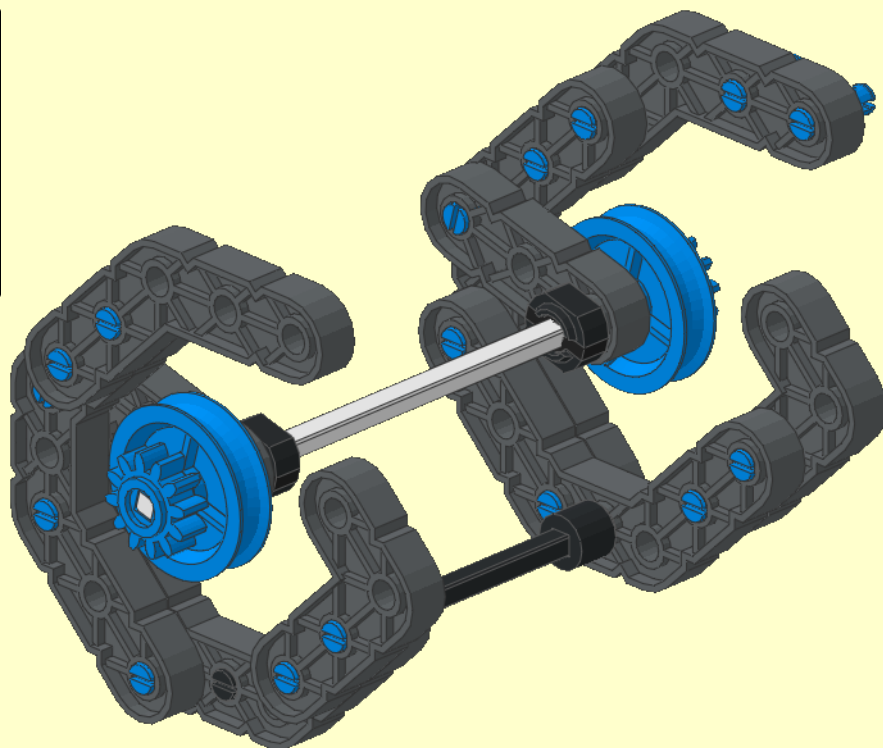
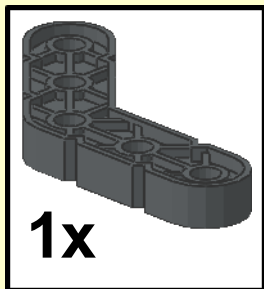
9



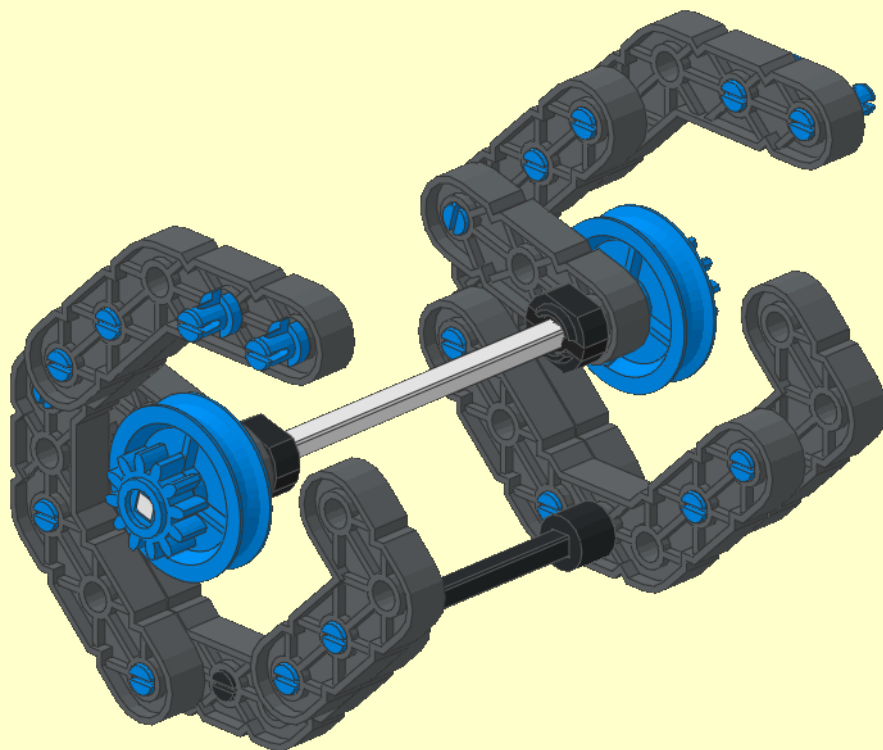
10

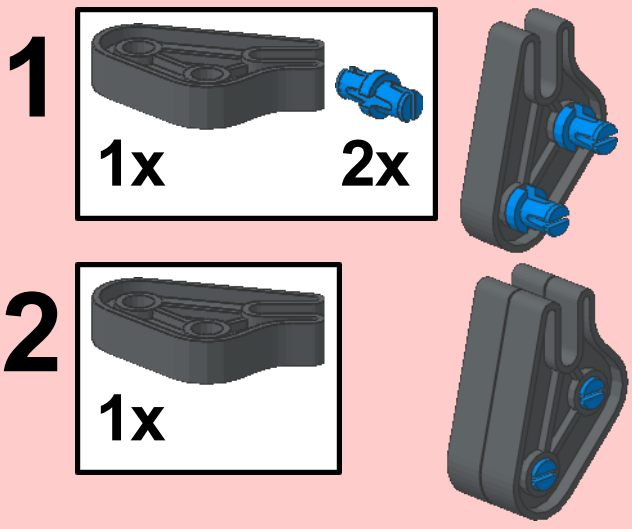


11

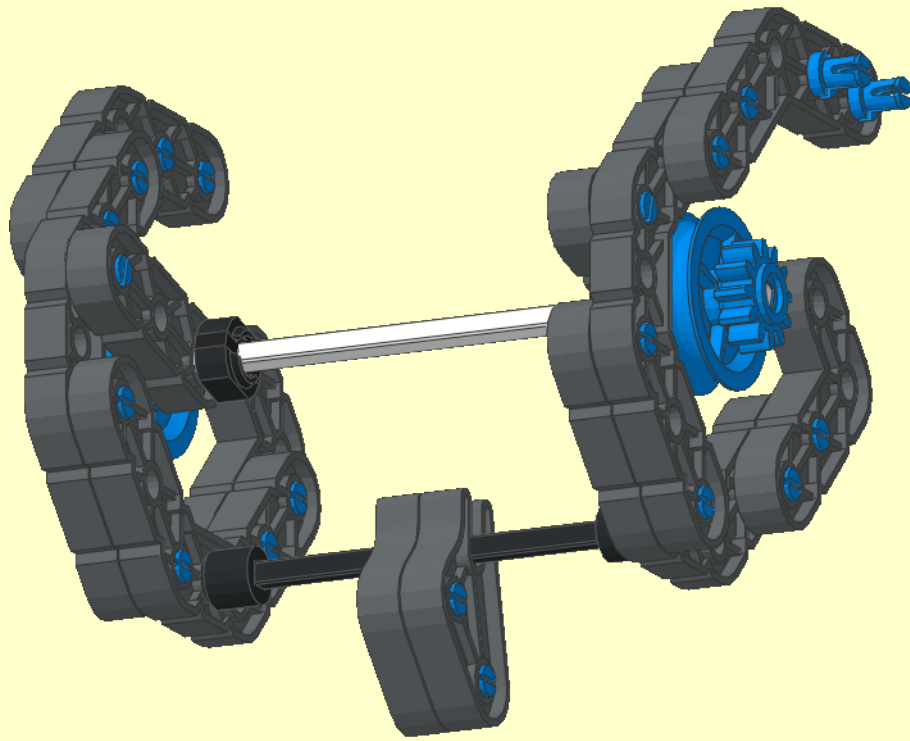


12











6

